

DUALSHOCK®4 Charging Station

Instruction Manual

CUH-ZDC1 E

7023313

Precautions

Before using this product, carefully read this manual and any manuals for compatible hardware. Retain instructions for future reference.

Safety

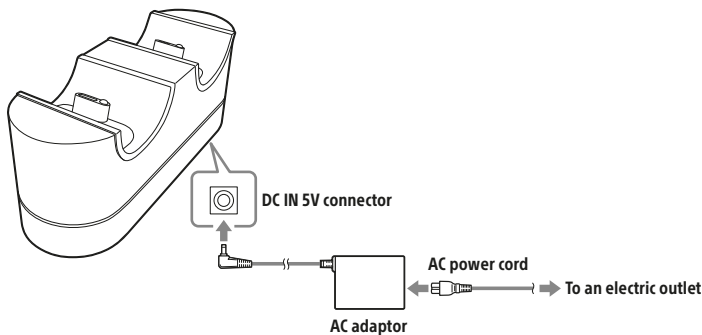
- For your safety, only use the AC adaptor and AC power cord included with this product. Other types may cause fire, electrical shock or malfunction.
- Do not connect the AC power cord to a voltage transformer or inverter. Connecting the AC power cord to a voltage transformer for overseas travel or an inverter for use in an automobile may cause heat to build up in the AC adaptor and may cause burns or a malfunction.
- Do not allow liquid or small particles to get into the product. If this happens, stop use and disconnect it from the electrical outlet immediately.
- Never disassemble or modify the product.
- Do not expose the product to high temperatures, high humidity, or direct sunlight.
- Do not leave the product in a car with the windows closed, particularly in hot weather.
- Do not expose the product to dust, smoke or steam.
- Do not touch the product with wet hands.
- Unplug the AC power cord from the electrical outlet before cleaning or when you do not intend to use the product for an extended period of time.
- Keep this product out of the reach of small children. Small children may swallow small parts or may wrap the cables around themselves, which may inflict injury or cause an accident or a malfunction.
- Do not touch or insert foreign objects into the connectors of the charging station.
- Do not swing the charging station, AC adaptor or the AC power cord around by their cables.

Use and handling

- Do not put heavy objects on the product.
- Do not throw or drop the product, or otherwise expose it to strong physical impact.
- Do not place this product on an unstable surface or leave on the floor.
- The product and its parts are made from metal and plastic materials. When disposing of the product, follow local regulations for the proper disposal of such materials.
- To clean this product, use a soft, dry cloth. Do not use solvents or other chemicals. Do not wipe with a chemically-treated cleaning cloth.

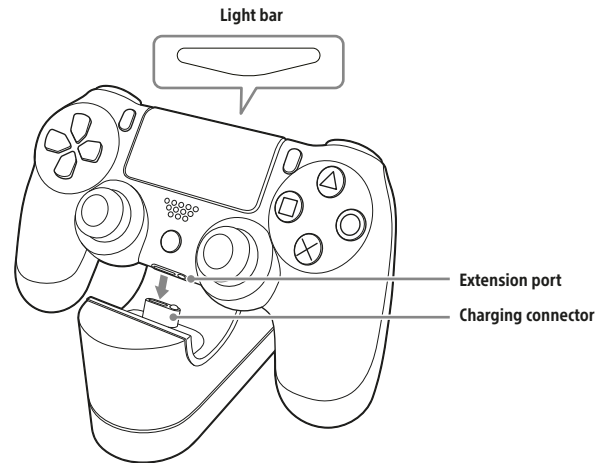
Charging

1 Connect the supplied AC adaptor and the AC power cord.



2 Attach the DUALSHOCK®4 wireless controller to the charging station.

Align the charging connector on the charging station with the extension port on the controller, and then press down on the controller until it clicks. The light bar on the controller blinks slowly in orange, and then the controller starts charging. When the controller finishes charging, the light bar turns off.



To remove the controller

Lift the controller, and then remove it from the charging station.

Approximate charging time

It takes approximately 2 hours to charge the controller when the battery has no remaining charge.

Specifications

Input	Charging station: DC 5 V AC adaptor: AC 100-240 V, 0.3 A, 50/60 Hz
Output	AC adaptor: DC 5 V, 2 A
External dimensions (w × h × d)	Approx. 45.0 × 55.5 × 135.0 mm
Mass	Approx. 230 g
Operating temperature	5 °C - 35 °C

Design and specifications are subject to change without notice.

GUARANTEE

This product is covered for 12 months from date of purchase by the manufacturer's guarantee. Please refer to the guarantee supplied in the PlayStation®4 package for full details.

This product has been manufactured by or on behalf of Sony Computer Entertainment Inc., 1-7-1 Konan Minato-ku Tokyo, 108-0075 Japan.
Importer on CIS Customs Union territory- ZAO "Sony Electronics", 123103, Moscow, Karamyshevsky lane 6, Russia.

The date of manufacture is specified on the product packaging or the nameplate near the P/D indication in the following format: P/D: MM.YYYY, where MM - month, YYYY - year of manufacturing.

Made in China



Where you see this symbol on any of our electrical products or packaging, it indicates that the relevant electrical product should not be disposed of as general household waste in Europe and Turkey. To ensure the correct waste treatment of the product, please dispose of it in accordance with any applicable local laws or requirements for disposal of electrical equipment. In so doing, you will help to conserve natural resources and improve standards of environmental protection in treatment and disposal of electrical waste.

"PS", "PlayStation", "PS4" and "DUALSHOCK" are registered trademarks of Sony Computer Entertainment Inc. "PS4" is a trademark of the same company.

"SONY" and "SONY" are registered trademarks of Sony Corporation.



eu.playstation.com/ps4

