

CONDROL

EN Laser distance meter

DE Laser-Entfernungsmesser

RU Лазерный дальномер



Vector 60/80

EN User manual 1-2
DE Bedienungsanleitung 3-4
RU Руководство пользователя 5-6

Laser distance meter

EN Vector 60/80

User manual

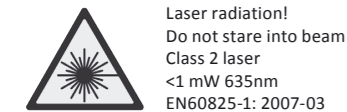
Congratulations on your purchase of laser distance meter Vector 60/80 CONDROL. Safety instructions can be found in the end of this user manual and should be carefully read before you use the product for the first time.

SAFETY REGULATIONS

The user manual should be read carefully before you use the product for the first time. Unintended use of the product can be dangerous for human's health and cause serious injury. Keep this user manual. If the product is given to somebody for temporary use, be sure to enclose user manual to it.

- Do not misuse the product
- Do not remove warning signs and protect them from abrasion, because they contain information about safe operation of the product.

The device belongs to laser product class 2 in accordance with EN60825-1.



- Do not look into the laser beam or its reflection, with unprotected eye or through an optical instrument. Do not point the laser beam at people or animals without the need. You can dazzle them.
- To protect your eyes close them or look aside.
- It is prohibited to disassemble or repair the product yourself. Entrust product repair to qualified personnel and use original spare parts only.
- Do not use the product in explosive environment, close to flammable materials.
- Avoid heating the batteries to avoid the risk of explosion and electrolyte leakage. In case of liquid contact with skin, wash it immediately with soap and water. In case of contact with eyes, flush with clean water during 10 minutes and consult the doctor.

INTENDED USE

Laser distance meters Vector 60 and Vector 80 are intended to measure distance, to calculate area and volume of measured objects, perform calculations by tilt sensor* and Pythagoras' Theorem, point to point measurements*, store results of measurement/calculation in memory and also transmit via Bluetooth. The product is suitable for use at both indoor and outdoor building areas.
*-Vector 80 only.

DELIVERY PACKAGE

The delivery package includes:
1. Laser distance meter – 1 pc.
2. Carry pouch with a strap - 1 pc.
3. User manual - 1 pc.
5. USB charger - 1 pc.

TECHNICAL SPECIFICATIONS

	Vector 60	Vector 80
Measuring range*	0.05–60 m	0.05–80 m
Measuring accuracy **	± 1.5 mm	
Smallest unit displayed	1 mm	
Display backlight	+	
Reference point	Front, rear, tripod, end-piece	
Continuous measurement (tracking)	+	
Max./min. value	+	
Addition/subtraction	+	
Area/ volume	+	
Calculations by Pythagoras' Theorem	+	
Bluetooth	+	
Wall surface	-	+
Calculation of horizontal distance by tilt sensor	-	+
Point to point measurement	-	+
Memory	up to 30 values	
Laser	Class II, 635 nm, <1 mW	
Operating temperature	0 °C ... +40 °C	
Storage temperature	-20 °C ... +60 °C	
Dust and water protection	IP54	
Power supply	3.7 V 850 mAh Li-ion rechargeable battery	
Dimensions	119*46*28 mm	
Weight	0.1 kg	

* Use a reflective plate to increase the measurement range during daylight or if the target has poor reflection properties.

** Accuracy can decrease in unfavorable conditions, such as intense sunshine or when measurements are made against glossy or transparent surfaces, moving objects, objects with rough surface.

In unfavourable conditions or when measured distance is over 100 m the maximum permissible accuracy is calculated in the following way:

$$\pm (Y + 0,25xDx10^{-3}) \text{ mm, where}$$

D (mm) - measured distance

Y (mm) - permissible accuracy according to technical data.

PRODUCT DESCRIPTION



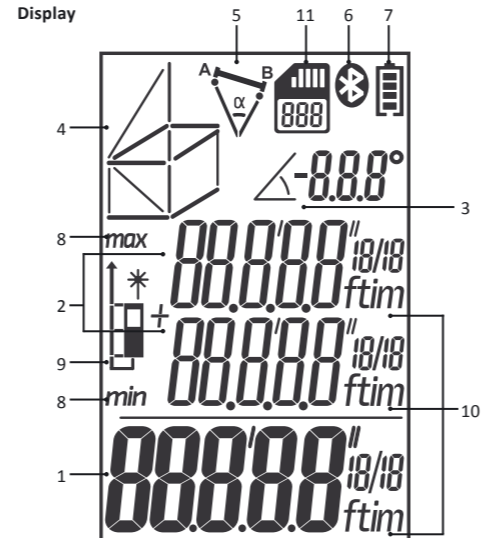
1. Display
2. Keyboard
3. A hole for the strap
4. End-piece
5. Tripod thread 1/4"
6. Mini-USB connector for charging

Functions of buttons

Button	Short press	Long press
DIST	Switch on the device	Continuous measurement (tracking)
	Switch on laser beam	
	Single distance measurement	
FUNC	Area	Memory
	Wall surface*	
	Volume	
	Tilt sensor*	
	Pythagoras 1	
	Pythagoras 2	
	Pythagoras 3	
	Point to point*	
±	Addition/subtraction	Select reference point
C^{OFF}	Stop measurement/clear/exit the mode	Switch off the device
DIST + FUNC simultaneously	Select measuring unit	

*-Vector 80 only

Display



1. Main line for displaying measuring results
2. Additional lines for displaying measuring results
3. Indication of tilt angle
4. Indication of the mode
5. Indication of point to point function
6. Indication of Bluetooth
7. Indication of battery charge level
8. Indication of max/min values
9. Indication of reference point
10. Indication of measuring unit
11. Indication of memory

OPERATION

Battery charging

Charge level is shown on display. Charge the battery when

symbol appears on the display. Use USB charger delivered in the set only. It is not recommended to use the product while charging. It takes approximately 3 hours to fully charge the batteries.

Switch on/off the device

To switch on the device short press **DIST**. To switch off the device press and hold **C^{OFF}** during 1 second.

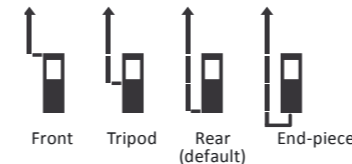
Measuring unit

Short press **DIST** and **FUNC** simultaneously to enter service settings. Short press button **±** to select required measuring unit – m/ft/in (meters/feet/inches).

Short press **DIST** to confirm and return to single distance measurement mode.

Reference point

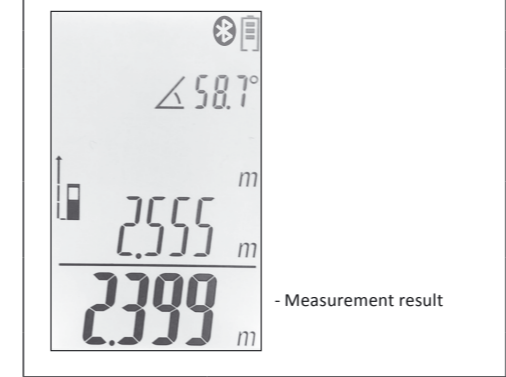
Press and hold button **±** during 1 second to select the reference point. Appropriate indicator will appear on the display.



Measurements

Single distance measurement

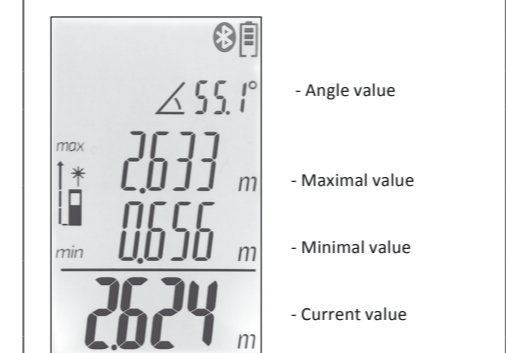
Short press DIST	The device will switch on.
Short press DIST	Laser beam will switch on. Point the laser beam at the object of measurement.
Short press DIST	Make a single distance measurement.



Short press **C^{OFF}** Delete the last measurement result.

Continuous distance measurement (Tracking)

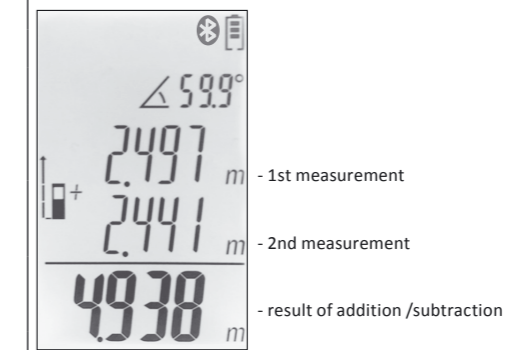
Press and hold during 2 seconds **DIST**. The device will start making measurements one after another, showing current measurement result in the main line, maximal value in the 1st line, minimal value in the 2nd line.



Press **DIST** or **C^{OFF}** Stop continuous measurement. The last measured values are shown on the display.

Addition/subtraction

Short press DIST	Turn on laser beam. Aim the product at measured object.
Short press DIST	Take first measurement. Measuring result appears in the main line.
Short press ±	The symbol of addition/subtraction will appear on the display.
Short press DIST	Turn on laser beam. 1st measuring result moves to the line 2 on the display.
Short press DIST	Take 2nd measurement.



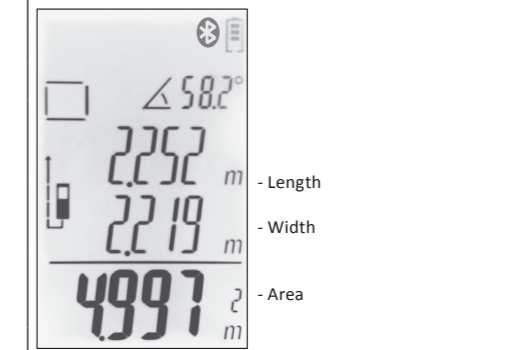
To do addition/subtraction of more than 2 measurements short press **DIST** and perform the above mentioned operations required number of times.

Short press **C^{OFF}** Exit the mode.

CALCULATIONS

Area

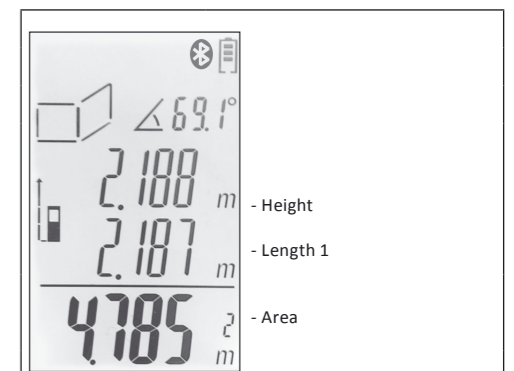
Short press 1 time. FUNC	Symbol will appear on the display. Laser beam will be on.
Short press DIST	Make the 1st measurement (length).
Short press DIST	Make the 2nd measurement (width). Area (length and width multiplication) will be calculated and appear in the main line on the display.



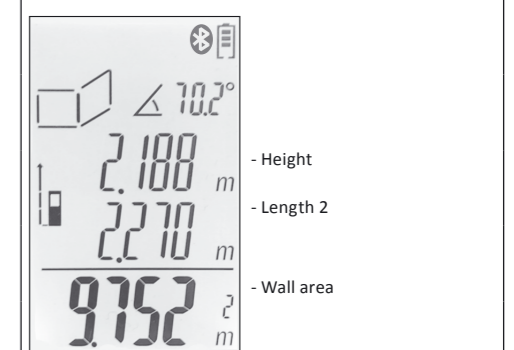
Short press **C^{OFF}** Exit the mode.

Wall surface (Vector 80 only)

Short press 2 times. FUNC	Symbol will appear on the display. Laser beam will be on.
Short press DIST	Make the 1st measurement (height).
Short press DIST	Make the 2nd measurement (length 1).



Short press **DIST** Make the 3rd measurement (length 2)

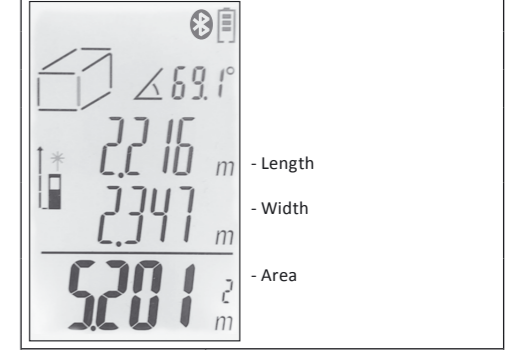


3rd, 4th, 5th etc. measurements can be done unlimited number of times. Each new wall surface is added to previously calculated wall area result.

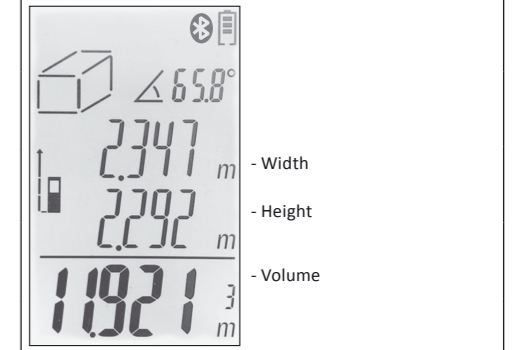
Short press **C^{OFF}** Exit wall area calculation mode.

Volume

Short press 2 times. FUNC	Symbol will appear on the display. Laser beam will be on.
Short press 3 times. FUNC	
Short press DIST	Make the first measurement (length).
Short press DIST	Make the 2nd measurement (width).



Short press **DIST** Make the 3rd measurement (height).



Short press **C^{OFF}** Exit the mode.

Calculation of horizontal distance with the help of tilt sensor (Vector 80 only)

Short press 4 times. FUNC	Symbol will appear on the display. Laser beam will be on.
Short press DIST	Take 1st measurement (hypotenuse).
<p>- tilt angle value (measured) - hypotenuse (measured) - vertical distance (calculated) - horizontal distance (calculated)</p>	
Short press OFF	Exit the mode.

Calculation of distance by 2 additional measurements (Pythagoras 1)

Short press 3 times. FUNC	Symbol will appear on display. Laser beam is on.
Short press 5 times. FUNC	(Vector 80)
Short press DIST	Make the 1st measurement (hypotenuse).
Short press DIST	Make the 2nd measurement (cathetus 1).
<p>- Hypotenuse - Cathetus 1 - Cathetus 2</p>	
Short press OFF	Exit the mode.

Calculation of distance by 3 additional measurements - sum of cathetuses (Pythagoras 2)

Short press 4 times. FUNC	Symbol will appear on display. Laser beam is on.
Short press 6 times. FUNC	(Vector 80)
Short press DIST	Make the 1st measurement (hypotenuse 1).
Short press DIST	Make the 2nd measurement (cathetus).
Short press DIST	Make the 3rd measurement (hypotenuse 2).
<p>- cathetus (measured) - hypotenuse 2 (measured) - cathetus (calculated)</p>	
Short press OFF	Exit the mode.

Calculation of distance by 3 additional measurements - subtraction of 2 cathetuses (Pythagoras 3)

Short press 5 times. FUNC	Symbol will appear on the display. Laser beam is on.
Short press 7 times. FUNC	(Vector 80)
Short press DIST	Make the 1st measurement (hypotenuse 1).
Short press DIST	Make the 2nd measurement (hypotenuse 2).
Short press DIST	Make the 3rd measurement (cathetus).
<p>- hypotenuse 2 (measured) - cathetus (measured) - cathetus (calculated)</p>	
Short press OFF	Exit the mode.

Point to point measurement (Vector 80 only)

Short press 8 times. FUNC	Symbol will appear on display. Laser beam is on.
Short press DIST	Make the 1st measurement (distance to point A).
Short press DIST	Make the 2nd measurement (distance to point B).
<p>- distance to point A (measured) - distance to point B (measured) - distance between points A and B (calculated)</p>	
Short press OFF	Exit the mode.

Memory

Long press FUNC	Enter memory. A number of saved measurement/calculation results is reflected on symbol on the display.
Short press \pm	View saved measurement/calculation results.
Short press OFF	Exit the mode.

Bluetooth

Bluetooth function is always on by default. Symbol is permanently shown on the display. Activate Bluetooth in the smartphone, tablet PC or laptop. For further operation use application Smart Measure CONDROL.

MESSAGE CODES

While operation, the following codes/symbols may appear on the display:

Message	Problem	Solution
301	Distance is out of range.	Keep in permissible measuring range.
302	Reflected signal is too weak.	Use a reflective plate.
303	Measuring result cannot be displayed (negative or exceeds 99999).	Repeat measurements until you get positive/smaller measurement result.
304	Pythagorean theorem calculation error.	Make measurements in correct succession.
305	Low battery.	Charge the battery.
306	Temperature is too low.	Warm up the device to operating temperature.
307	Temperature is too high.	Cool down the device to operating temperature.
308	Ambient light is too strong.	Make measurements in less illuminated zone.

CARE AND MAINTENANCE

Attention! The instrument is a precise device and requires careful handling. The following recommendations will extend the life of the product:

- Do not point the product at the sun.
- Protect the product from bumps, falls, and excessive vibration; do not let liquids, construction dust and foreign objects get inside the product.
- Do not expose the product to extreme temperatures.
- If liquids get inside the product first remove the batteries, then contact the service center.
- Do not store or use the product under high humidity conditions for a long time.
- Clean the product with soft wet cloth.
- Keep device optics clean and protect it from mechanical damage.
- Carry out control measurements occasionally, especially if the product is subject to excessive mechanical or other impact, before and after taking important measurements.

UTILIZATION

Expired tools, accessories and package should be passed for waste recycle. Please send the product to the following address for proper recycle:

CONDROL GmbH
Wasserburger Strasse 9
84427 Sankt Wolfgang
Germany



Do not throw the product in municipal waste!
According to European directive 2002/96/EC expired measuring tools and their components must be collected separately and submitted to environmentally friendly recycle of wastes.

WARRANTY

All CONDROL GmbH products go through post-production control and are governed by the following warranty terms. The buyer's right to claim about defects and general provisions of the current legislation do not expire.

- CONDROL GmbH agrees to eliminate all defects in the product, discovered during the warranty period, that represent the defect in material or workmanship in full volume and at its own expense.
- The warranty period is 36 months and starts from the date of purchase by the end customer (see the original supporting document).
- The warranty doesn't cover defects resulting from wear and tear or improper use, malfunction of the product caused by failure to observe the instructions of this user manual, untimely maintenance and service and insufficient care, the use of non-original accessories and spare parts. Modifications in design of the product relieve the seller from responsibility for warranty works. The warranty does not cover cosmetic damage, that doesn't hinder normal operation of the product.
- CONDROL GmbH reserves the right to decide on replacement or repair of the device.
- Other claims not mentioned above, are not covered by the warranty.
- After holding warranty works by CONDROL GmbH warranty period is not renewed or extended.
- CONDROL GmbH is not liable for loss of profit or inconvenience associated with a defect of the device, the rental cost of alternative equipment for the period of repair.

This warranty applies to German law except provision of the United Nations Convention on contracts for the international sale of goods (CISG).

In warranty case please return the product to retail seller or send it with defect description to the following address:

CONDROL GmbH
Wasserburger Strasse 9
84427 Sankt Wolfgang
Germany

Laser-Entfernungsmesser

DE Vector 60/80

Bedienungsanleitung

Herzlichen Glückwunsch zum Kauf Ihres CONDTROL Vector 60/80. Die Sicherheitshinweise finden Sie am Ende der deutschen Anleitung. Bitte lesen Sie diese sorgfältig, bevor Sie das Gerät das erste Mal verwenden.

SICHERHEITSHINWEISE

Bitte lesen und befolgen Sie alle Anweisungen für die sichere Verwendung Ihres Geräts. Nichtbeachten der Anleitung kann zu Verletzungen, Materialschäden, finanziellem oder ökologischem Schaden führen. Bewahren Sie diese Bedienungsanleitung auf. Bei der Übergabe des Gerätes legen Sie diese Anleitung bei.

- Das Gerät darf nur zweckmäßig verwendet werden.
- Warnschilder müssen stets sichtbar und erkennbar am Gerät angebracht sein.
- Das Gerät erzeugt Strahlung der Laserklasse 2 gemäß EN60825-1 mit der Wellenlänge 635nm.



LASERSTRAHLUNG!
Nicht in den Strahl blicken
Laserklasse 2
<1 mW 635nm
EN60825-1: 2007-03

Sie erhalten Ihr Gerät mit einem Warnschild in Englisch. Bitte beachten Sie das hier abgebildete Warnschild in Deutsch. Sie können Strahlung ausgesetzt sein, wenn Sie die Anweisungen dieser Bedienungsanleitung nicht befolgen.

- Richten Sie den Laserstrahl nicht auf Personen oder Tiere. Blicken Sie selbst nicht in Laserstrahl, insbesondere nicht mit optischen Instrumenten. Ihr Augenlicht ist in Gefahr.
- Die Reparatur und Wartung darf nur durch qualifiziertes Fachpersonal erfolgen, das originale Ersatzkomponenten einsetzt. Kinder dürfen das Gerät nur unter Aufsicht benutzen, um die Sicherheit für sie selbst und andere Personen zu gewährleisten.
- Verwenden Sie das Gerät nicht in der Nähe von brennbaren Stoffen, da im Gerät Funken entstehen können, und halten Sie ausreichend Abstand zu Wärmequellen.
- Platzieren Sie die Batterien des Gerätes nie in der Nähe von Hitze oder Feuer, um das Risiko von Explosionen und Verletzungen zu reduzieren.
- Im Fall einer Explosion der Batterien besteht das Risiko von Verletzungen durch Trümmer und Chemikalien. Löschen Sie die Stellen sofort mit Wasser.
- Unter extremen Bedingungen können Batterien auslaufen. Bei Kontakt der Flüssigkeit mit Augen, reinigen Sie diese sofort mindestens zehn Minuten lang mit sauberem Wasser und suchen Sie anschließend einen Arzt auf.

Verwenden Sie das Gerät nicht in der Nähe von brennbaren Stoffen, da im Gerät Funken entstehen können, und halten Sie ausreichend Abstand zu Wärmequellen.

BESTIMMUNGSGEMÄSSER GEBRAUCH

Die Laser-Entfernungsmesser Vector 60 und Vector 80 sind zum Messen von Distanzen, Berechnung von Flächen mit Neigungsmessung* und Pythagoras-Satz, Punkt-zu-Punkt*-Messungen, Speicherung von Mess-/Berechnungsergebnissen sowie deren Übertragung via Bluetooth bestimmt. Das Gerät verfügt über Bluetooth-Funktion für Übertragung der Werte in Ihre Software. Er ist für den Innen- und Außenbereich geeignet.

*-nur für Vector 80.

LIEFERUMFANG

Der Lieferumfang des Entfernungsmessers umfasst:

1. Laser-Entfernungsmesser
2. Schutztasche mit Hand-/Gurtschlaufe
3. Bedienungsanleitung
4. USB-Ladegerät

TECHNISCHE DATEN

	Vector 60	Vector 80
Reichweite*	0,05–60m	0,05–80m
Messgenauigkeit **	± 1,5mm	
Kleinste Anzeige	1mm	
Displaybeleuchtung	+	
Referenzpunkt bestimmen	Vorderkante, Hinterkante, Stativ, ausklappbares Endstück	
Dauermessung (Tracking)	+	
Max./Min.-Messungen	+	
Addition/Subtraktion von Abmessungen	+	

Fläche / Volumen	+	
Messung über den Pythagoras-Satz	+	
Bluetooth	+	
Wandfläche	-	+
Berechnungen mit Neigungsmessungen	-	+
Punkt – zu – Punkt - Messung	-	+
Integrierter Speicher	Bis zu 30 Werte	
Lasertyp	Laserklasse II, Leistung 635nm <1mW	
Betriebstemperatur	0 °C ... +40 °C	
Lagertemperatur	-20 °C ... +60 °C	
Wasser- und Staubschutz	IP54	
Akkus	3,7 V 850 mAh Li-ion aufladbarer Akku	
Abmessungen	119*46*28mm	
Gewicht	0,1 kg	

* Verwenden Sie eine Zieltafel, um die Reichweite bei Tageslicht bei schlechter Reflexion des Messzieles zu vergrößern.

** Unter ungünstigen Bedingungen wie z.B. direktem Sonnenlicht oder schlecht reflektierender Oberfläche, kann die Ungenauigkeit steigen. Es kann zu Messfehlern kommen wenn Sie gegen reinstes (staubfrei) Glas oder gegen andere farblose und durchsichtige Stoffe messen. Stark glänzende Oberflächen können ebenfalls zu Fehlmessungen beitragen; der Laserstrahl wird eventuell abgelenkt.

Unter ungünstigen Bedingungen und bei Entfernungen über 100 m beträgt die zulässige Abweichung:

$\pm (Y + 0,25 \times D \times 10^{-3}) \text{mm}$:

D (mm) - zu messende Entfernung

Y (mm) - zulässige Messgeräteabweichung.

GERÄTEBESCHREIBUNG



1. Display
2. Tastatur
3. Aufnahme Tragschlaufe
4. Aufklappbares Endstück
5. 1/4" – Stativgewinde
6. Micro-USB-Buchse für Ladegerät

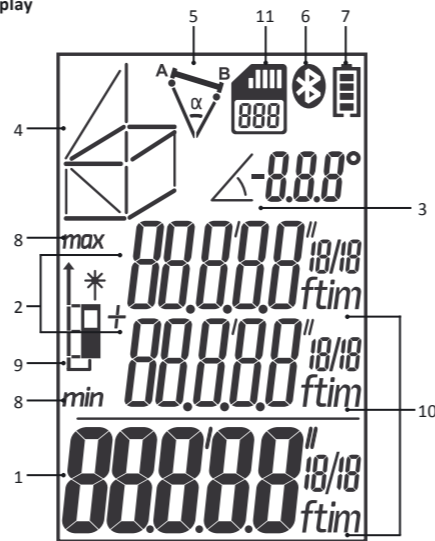
Funktionen der Tasten

Taste Nr.	Kurzes Drücken	Langes Drücken
DIST	Gerät einschalten	Dauermessung (Tracking)
	Laseraktivierung	
	Einzelmessung	

FUNC	Fläche Wandfläche* Volumen	Speicher
\pm	Bestimmen einer horizontalen Strecke mit einer Neigungsmessung*	
	Pythagoras 1 Pythagoras 2 Pythagoras 3 Berechnen einer Distanz zwischen zwei Punkten*	
\pm	Addieren/ Subtrahieren	Referenzpunkt auswählen
OFF	Messung stoppen/ Werte löschen/ Modus verlassen	Gerät ausschalten
DIST + FUNC gleichzeitig	Meßeinheit wählen	

*-nur für Vector 80.

Display



- 1 Hauptzeile
- 2 Zusätzliche Messwert-/ Ergebnisszeilen
- 3 Anzeige für Neigungswinkel
- 4 Modusanzeige
- 5 Anzeige für Punkt – zu – Punkt Messungsmodus
- 6 Anzeige für Bluetooth
- 7 Akku-Ladezustandsanzeige
- 8 Anzeige für Min/Max-Werte
- 9 Anzeige für Referenzpunkt
- 10 Anzeige für Messeinheit
- 11 Datenspeicher

GERÄTEBEDIENUNG

Akkus laden

Der Akku-Ladezustand wird auf dem Display angezeigt. Laden Sie die Akkus auf, wenn das Symbol permanent auf dem Bildschirm blinkt. Benutzen Sie das mitgelieferte Ladegerät, um Ihren Laserentfernungsmesser aufzuladen. Das Gerät kann während des Ladens nicht verwendet werden. Das Gerät wird in ca. 3 Stunden völlig aufgeladen.

Ein- /Ausschalten

Einschalten: die Taste **DIST** drücken.

Ausschalten: die Taste **OFF** drücken und 1 Sekunde gedrückt halten.

Messeinheit wählen

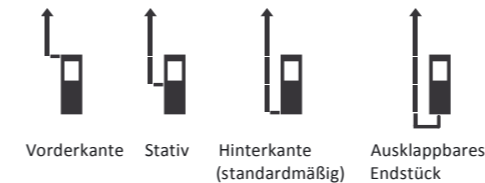
Wählen Sie die Messeinheit durch gleichzeitiges Drücken der Tasten **DIST** und **FUNC** bis die gewünschte Messeinheit angezeigt wird.

Mit kurzem Drücken der Taste \pm wählen Sie die gewünschte Meßeinheit – m/ft/in (Meter/Fuß/Zoll).

Mit kurzem Drücken der Taste **DIST** bestätigen Sie die Einstellung und wechseln zurück in den Modus der Einzelmessungen.

Messebene festlegen

Alle Messungen können ab Unterkante oder ab Oberkante des Gerätegehäuses durchgeführt werden. Gemäß Standardeinstellung misst das Instrument immer ab Unterkante. Drücken und halten Sie die Taste \pm 1 Sekunde gedrückt, um einen Messausgangspunkt zu wählen. Das entsprechende Symbol erscheint auf dem Display.



MESSUNGEN

Einzelmessung

Kurzes Drücken DIST	Einschalten des Gerätes.
Kurzes Drücken DIST	Laseraktivierung. Zielen Sie auf das Objekt, dessen Entfernung Sie messen wollen.
Kurzes Drücken DIST	Messung.
	- Messergebnis
Kurzes Drücken OFF	Den letzten Messwert löschen.

Dauermessung (Tracking)

Drücken und 2 Sekunde gedrückt halten DIST	Aktivierung des Tracking - Modus. Laseraktivierung.
	- Neigungswinkel
	- Maximalwert
	- Minimalwert
	- Aktueller Wert
Kurzes Drücken DIST oder OFF	Tracking – Modus verlassen. Der letzte gemessene Wert wird auf dem Display angezeigt.

Addieren/Subtrahieren

Kurzes Drücken DIST	Aktivierung des Laserstrahles. Zielen Sie auf das Objekt, dessen Entfernung Sie messen wollen.
Kurzes Drücken DIST	Die erste Messung. Das Ergebnis erscheint in der Hauptzeile.
Kurzes Drücken \pm	Die Anzeige für Addieren/Subtrahieren erscheint auf dem Display.
Kurzes Drücken DIST	Aktivierung des Laserstrahles. Das letzte Messergebnis wird nun in der zweiten Zeile angezeigt.
Kurzes Drücken DIST	Die zweite Messung.
	- Ergebnis der Addition/ Subtraktion von zwei Messwerten
Kurzes Drücken DIST	Um mehrere Messwerte zu addieren/subtrahieren, drücken Sie die Taste DIST und wiederholen Sie die letzten Optionen.
Kurzes Drücken OFF	Modus verlassen.

BERECHNUNGEN

Fläche

Kurzes Drücken der Taste FUNC 1 Mal	Das Symbol erscheint auf dem Display. Der Laserstrahl ist aktiviert.
Kurzes Drücken DIST	Die erste Messung (Länge).
Kurzes Drücken DIST	Die zweite Messung (Breite). Die Fläche (Multiplikation von Länge und Breite) wird berechnet und erscheint in der Hauptzeile.
	- Fläche
Kurzes Drücken OFF	Modus verlassen.

Wandfläche (nur für Vector 80)

Kurzes Drücken der Taste FUNC 2 Mal	Das Symbol erscheint auf dem Display. Der Laserstrahl ist aktiviert.
Kurzes Drücken DIST	Die erste Messung (Höhe).
Kurzes Drücken DIST	Die zweite Messung (Länge 1).

	- Höhe
	- Länge 1
	- Fläche
Kurzes Drücken DIST	Die dritte Messung (Länge 2).
	- Höhe
	- Länge 2
	- Wandfläche
Die 3, 4, 5 und weiteren Messungen können mehrmals gemacht werden. Jedes weitere Ergebnis der Wandflächenberechnung wird zu dem vorhergehenden addiert.	
Kurzes Drücken OFF	Modus verlassen.

Volumen

Kurzes Drücken der Taste FUNC 3 Mal (Vector 80)	Das Symbol erscheint auf dem Display. Der Laserstrahl ist aktiviert.
Kurzes Drücken DIST	Die erste Messung (Länge).
Kurzes Drücken DIST	Die zweite Messung (Breite).
	- Volumen
Kurzes Drücken DIST	Die dritte Messung (Höhe).
	- Volumen
Kurzes Drücken OFF	Modus verlassen.

Bestimmen einer horizontalen Strecke mit einer Neigungsmessung (nur Vector 80)

Kurzes Drücken FUNC	Das Symbol erscheint auf dem Display. Der Laserstrahl ist aktiviert.
Kurzes Drücken DIST	Die erste Messung (Hypotenuse).
<p>– Neigungswinkel (gemessen) – Hypotenuse (gemessen) – vertikale Strecke (berechnet) – horizontale Strecke (berechnet)</p>	
Kurzes Drücken OFF	Modus verlassen.

Bestimmen einer Strecke mit 2 Hilfsmessungen (Pythagoras 1)

Kurzes Drücken FUNC	Das Symbol erscheint auf dem Display. Der Laserstrahl ist aktiviert.
Kurzes Drücken FUNC	3 Mal (Vector 60) 5 Mal (Vector 80)
Kurzes Drücken DIST	Die erste Messung (Hypotenuse).
Kurzes Drücken DIST	Die zweite Messung (Kathete 1).
<p>– Hypotenuse – Kathete 1 – Kathete 2</p>	
Kurzes Drücken OFF	Modus verlassen.

Bestimmen einer Strecke mit 3 Hilfsmessungen - Addieren von Katheten (Pythagoras 2)

Kurzes Drücken FUNC	Das Symbol erscheint auf dem Display. Der Laserstrahl ist aktiviert.
Kurzes Drücken FUNC	4 Mal (Vector 60) 6 Mal (Vector 80)
Kurzes Drücken DIST	Die erste Messung (Hypotenuse 1).
Kurzes Drücken DIST	Die zweite Messung (Kathete).
Kurzes Drücken DIST	Die dritte Messung (Hypotenuse 2)
<p>– Kathete (gemessen) – Hypotenuse 2 (gemessen) – Kathete (berechnet)</p>	

Kurzes Drücken OFF	Modus verlassen.
---------------------------	------------------

Bestimmen einer Strecke mit 3 Hilfsmessungen - Subtrahieren von 2 Katheten (Pythagoras 3)

Kurzes Drücken FUNC	Das Symbol erscheint auf dem Display. Der Laserstrahl ist aktiviert.
Kurzes Drücken FUNC	5 Mal (Vector 60) 7 Mal (Vector 80)
Kurzes Drücken DIST	Die erste Messung (Hypotenuse 1).
Kurzes Drücken DIST	Die zweite Messung (Hypotenuse 2).
Kurzes Drücken DIST	Die dritte Messung (Kathete).
<p>– Hypotenuse 2 (gemessen) – Kathete (gemessen) – Kathete (berechnet)</p>	
Kurzes Drücken OFF	Modus verlassen.

Berechnen einer Distanz zwischen zwei Punkten (nur Vector 80)

Kurzes Drücken FUNC	Das Symbol erscheint auf dem Display. Der Laserstrahl ist aktiviert.
Kurzes Drücken DIST	Die erste Messung (Abstand bis zum Punkt A).
Kurzes Drücken DIST	Die zweite Messung (Abstand bis zum Punkt B).
<p>– Abstand bis zum Punkt A (gemessen) – Abstand bis zum Punkt B (gemessen) – Abstand zwischen zwei Punkten A und B (berechnet)</p>	
Kurzes Drücken OFF	Modus verlassen.

Speicher

Drücken und 1 Sek. halten FUNC	Datenspeicher öffnen. Die Zahl der letzten gemessenen/berechneten Werte erscheint als Symbol auf dem Display.
Kurzes Drücken ±	Ansehen der letzten gemessenen Werte.
Kurzes Drücken OFF	Den Modus verlassen.

Bluetooth

Die Bluetooth – Funktion ist immer aktiviert.

Das Symbol wird ständig auf dem Display angezeigt. Aktivieren Sie Bluetooth auf Ihrem Handy, Tablet oder Laptop. Für den weiteren Betrieb benutzen Sie die Applikation Smart Measure CONDROL.

FEHLERCODES

Folgende Fehler können korrigiert werden:

Code	Ursache	Lösung
301	Entfernung außerhalb des Messbereichs.	Bleiben Sie innerhalb des Messbereichs.
302	Das reflektierte Signal ist zu schwach.	Benutzen Sie den Laserdetektor.
303	Das Messergebnis kann nicht angezeigt werden (Berechneter Wert ist negativ oder größer als 99999)	Wiederholen Sie die Messungen noch einmal. Teilen Sie Berechnung in Zwischenschritte auf.
304	Fehler in der Berechnung mit Pythagoras-Satz.	Wiederholen Sie die Messungen in festgelegter Reihenfolge noch einmal.
305	Niedriger Akkuzustand.	Laden Sie die Akkus auf.
306	Temperatur zu niedrig.	Wärmen Sie das Gerät auf.
307	Temperatur zu hoch.	Kühlen Sie das Gerät ab.
308	Umgebungslicht zu stark.	Messen Sie in dunklerer Umgebung.

PFLEGE

- Behandeln Sie das Gerät mit Sorgfalt, so wie Sie eine Kamera, ein Fernglas oder ein anderes optisches Gerät verwenden.
- Vermeiden Sie Stöße, ständige Vibrationen und extreme Temperaturen.
- Verwenden Sie die Batterie entsprechend den Sicherheitsvorschriften.
- Tauchen Sie das Gerät nicht unter Wasser.
- Wischen Sie Schmutz mit einem feuchten, weichen Tuch ab.
- Verwenden Sie keine aggressiven Reinigungs- oder Lösungsmittel.
- Behandeln Sie das Gerät wie ein Teleskop oder eine Kamera.

ENTSORGUNG

Geräte, Zubehör und die Verpackung sollen recycelt werden (Wiederverwertung). Zum Recycling schicken Sie das Gerät bitte an:

CONDROL GmbH
Wasserburger Strasse 9
84427 Sankt Wolfgang
Deutschland



Werfen Sie das Gerät nicht in den Restmüll. Gemäss der Europäischen Richtlinie 2002/96/EG über Altgeräte mit Elektronik und ihrer Umsetzung in nationales Recht sind Sie verpflichtet, nicht mehr gebrauchsfähige Messwerkzeuge getrennt zu sammeln und zu einer Recyclingstelle zu bringen.

GARANTIE

Alle Geräte der CONDROL GmbH werden vor dem Verlassen der Produktion geprüft und unterliegen den folgenden Garantiebestimmungen. Mängelhaftungsansprüche des Käufers und gesetzliche Rechte bleiben davon unberührt.

- 1) Die CONDROL GmbH verpflichtet sich zur kostenlosen Behebung der Mängel am Gerät, falls diese nachweislich innerhalb der Garantiezeit auf einen Material- oder Produktionsfehler zurückzuführen sind.
- 2) Die Garantiezeit beträgt 36 Monate bei gewerblichen Produkten und beginnt am Datum des Kaufs an den ersten Endabnehmer (siehe Originalbeleg). Die Betriebsdär Ihres Gerätes beträgt 36 Monate.
- 3) Die Garantie trifft nicht für Teile zu, deren Fehlfunktion auf Gebrauch oder Verschleiss zurückzuführen ist. Für Mängel am Gerät, die durch Nichtbeachten der Bedienungsanleitung, nicht bestimmungsgemässen Gebrauch, unzureichenden Service und Pflege, Verwendung von Nicht- CONDROL GmbH-Zubehör oder Ersatzteilen entstehen, gilt die Garantie nicht. Durch Veränderungen oder Zusätze am Gerät erlischt die Garantie. Für Mängel, die den normalen Gebrauch des Geräts nicht beeinträchtigen, gilt die Garantie nicht.
- 4) Die CONDROL GmbH behält sich das Recht vor, nach eigener Entscheidung das Gerät zu reparieren oder zu ersetzen.
- 5) Andere Ansprüche als die oben genannten werden nicht über die Garantie abgedeckt.
- 6) Nach Garantieleistungen durch die CONDROL GmbH wird die Garantiezeit nicht erneuert und auch nicht verlängert.
- 7) Die CONDROL GmbH übernimmt keine Verantwortung für Gewinnverlust und andere Umstände, die mit dem defekten Gerät in Verbindung stehen. Die CONDROL GmbH übernimmt keine Kosten für Miet- oder Leihgeräte während der Reparatur. Für die Garantie gilt deutsches Recht. Ausgeschlossen ist das CISG (Übereinkommen der Vereinten Nationen über den internationalen Warenkauf). Änderungen vorbehalten.

WARTUNG UND REPARATUR

Falls das Gerät defekt ist, bringen Sie es bitte zu Ihrem Händler zurück. Falls Sie das Gerät nicht bei einem Händler gekauft haben, schicken Sie es mit einer Fehlerbeschreibung bitte an:

CONDROL GmbH
Wasserburger Strasse 9
84427 Sankt Wolfgang
Deutschland

Während des Transports und der Aufbewahrung sollte das Gerät in seiner Tasche oder Koffer sein. Säubern Sie besonders die Austrittsfenster der Laserstrahlen und vermeiden Sie die dort Fusselbildung. Die Säuberung mit Reinigungs- und Lösungsmittel ist untersagt. Verwenden Sie anstelle ein weiches, feuchtes Tuch. Halten Sie das Gerät nicht unter Wasser oder in andere Flüssigkeiten. Das eigenständige Öffnen des Geräts ist untersagt. Es darf nur von einem autorisierten Servicezentrum geöffnet werden.

Лазерный дальномер RU Vector 60/80

Руководство пользователя

Поздравляем с приобретением лазерного дальномера Vector 60/80 CONDROL.
Перед первым использованием прибора, пожалуйста, внимательно ознакомьтесь с указаниями по технике безопасности, приведенными в конце данного руководства по эксплуатации.

УКАЗАНИЯ ПО ТЕХНИКЕ БЕЗОПАСНОСТИ

Перед началом работы с прибором внимательно изучите данную инструкцию. Неправильное обращение с прибором может привести к тяжелой травме, нанести значительный ущерб. Сохраняйте данную инструкцию. При передаче прибора во временное пользование обязательно приложите к нему данную инструкцию.
- Не используйте прибор не по назначению.
- Не удаляйте предупреждающие таблички и предохраняйте их от стирания, т.к. они содержат информацию по безопасной эксплуатации прибора. Вы приобрели прибор с нанесенными на него предупреждающими табличками на английском и немецком языках. Пожалуйста, ознакомьтесь с содержанием табличек на русском языке. Прибор относится ко 2 классу лазерных изделий в соответствии с IEC60825-1 с длиной волны 635 нм.



Лазерное излучение!
Не направляйте в глаза
Лазер класса 2
<1 мВт, 635нм
EN 60825-1: 2007-03

- Не смотрите в лазерный луч, а также в его отражение, как незащищенным глазом, так и через оптические устройства. Не направляйте лазерный луч на людей и животных без необходимости. Вы можете их ослепить.
- Защита глаз обычно осуществляется путем отведения взгляда или закрытием век.
- Запрещено разбирать и проводить самостоятельный ремонт прибора. Ремонт прибора поручайте только квалифицированному персоналу и только с использованием оригинальных запасных частей.
- Запрещается эксплуатация прибора во взрывоопасной среде, вблизи легковоспламеняющихся материалов.
- Не допускайте нагрева элементов питания во избежание риска взрыва и вытекания электролита. При попадании жидкости на кожу немедленно промойте пораженный участок водой с мылом. В случае попадания в глаза, промойте их чистой водой в течение 10 минут, затем обратитесь к врачу.

НАЗНАЧЕНИЕ ПРИБОРА

Лазерные дальномеры Vector 60 и Vector 80 предназначены для измерения расстояний, вычисления площади и объемов измеряемых объектов, расстояний с помощью датчика наклона* и теоремы Пифагора, расстояний между двумя точками*, хранения результатов измерений/вычислений в памяти прибора, а также их передаче по Bluetooth. Прибор предназначен для эксплуатации как в закрытых помещениях, так и на открытых строительных площадках.
* - только Vector 80.

КОМПЛЕКТАЦИЯ

Комплект поставки прибора включает:
1. Лазерный дальномер – 1 шт.
2. Сумка-чехол с ремешком - 1 шт.
3. Инструкция по эксплуатации - 1 шт.
5. Кабель для зарядки - 1 шт.

ТЕХНИЧЕСКИЕ ХАРАКТЕРИСТИКИ

	Vector 60	Vector 80
Диапазон измерений*	0,05–60 м	0,05–80 м
Точность измерения**	± 1,5 мм	
Дискрета измерения	1 мм	
Подсветка дисплея	+	
Точка отсчета	Фронт, тыл, штатив, откидная пятка	
Непрерывное измерение (трекинг)	+	
Максимальное/минимальное значения	+	
Сложение/вычитание	+	

Площадь/объем	+	
Вычисления по теореме Пифагора	+	
Bluetooth	+	
Площадь стен	-	+
Вычисления с помощью датчика наклона	-	+
Вычисление расстояния между двумя точками	-	+
Память	до 30 значений	
Тип лазера	Класс II, 635нм, <1 мВт	
Температура эксплуатации	0 °С... +40 °С	
Температура хранения	-20 °С... +60 °С	
Уровень пыли- и влагозащиты	IP54	
Элементы питания	3,7 В 850 мАч Li-ion перезаряжаемый аккумулятор	
Габаритные размеры	119*46*28 мм	
Вес	0,1 кг	

* В неблагоприятных условиях, например, при ярком солнечном свете, или если объект, до которого производится измерение, имеет плохую отражающую поверхность, следует использовать отражающую пластину.
** Точность измерения может ухудшиться при неблагоприятных условиях измерения, таких как яркий солнечный свет, если измерения производятся до глянцевых или прозрачных поверхностей, движущихся объектов, объектов с неровной поверхностью. При неблагоприятных условиях, а также при измерении расстояний свыше 100 м пределы допускаемой погрешности измерений составляют:
 $\pm (Y + 0,25 \times D \times 10^{-3})$ мм, где
D (мм) – измеряемое расстояние
Y (мм) – допустимая паспортная погрешность измерений.

ОПИСАНИЕ ПРИБОРА



1. Дисплей
2. Клавиатура
3. Петля для крепления ремешка
4. Откидная пятка
5. Резьба 1/4" для установки на штатив
6. Разъем USB для зарядки

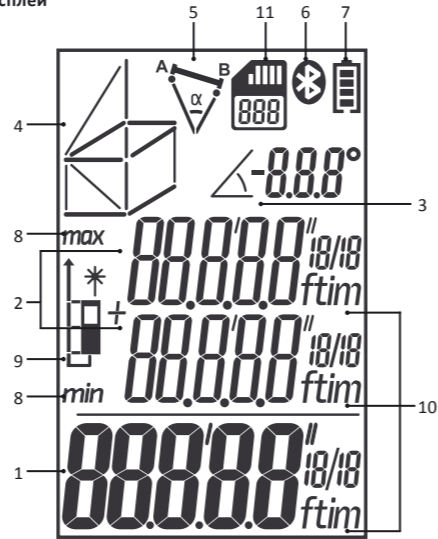
Функции кнопок

Кнопка	Короткое нажатие	Длительное нажатие
	Включение прибора	Непрерывное измерение (трекинг)
	Включение лазера	
	Единичное измерение	

	Площадь Площадь стен* Объем	Память
	Вычисление горизонтального проложения с помощью датчика угла наклона*	
	Пифагор 1 Пифагор 2 Пифагор 3	
	Сложение/вычитание	Выбор точки отсчета
	Остановка измерения/сброс значений/выход из режима	Выключение прибора
	Выбор единиц измерения	

* Только для Vector 80

Дисплей



1. Основная строка вывода результатов измерений
2. Дополнительные строки вывода результатов измерений
3. Индикатор угла наклона
4. Индикатор режима
5. Индикатор режима вычисления расстояния между двумя точками
6. Индикатор Bluetooth
7. Индикатор уровня заряда элементов питания
8. Индикатор максимального и минимального значений
9. Индикатор точки отчета
10. Индикатор единиц измерения
11. Индикатор памяти

РАБОТА С ПРИБОРОМ

Зарядка аккумулятора

Уровень заряда аккумулятора отображается на дисплее. Изображение означает минимальный уровень заряда, в данном случае необходимо зарядить элементы питания. Для зарядки используйте только зарядное устройство, входящее в комплект поставки. Во время зарядки прибором пользоваться не рекомендуется. Полная зарядка занимает около 3 ч.

Включение/выключение

Включите прибор кратковременным нажатием . Выключите прибор нажатием и удержанием в течение 1 секунды.

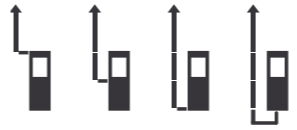
Единицы измерения

Нажмите клавиши и одновременно. Кратковременным нажатием клавиши выберите необходимые единицы измерения – м/ft/in (метры/футы/дюймы).

Коротким нажатием клавиши подтвердите настройку и вернитесь в режим единичных измерений.

Точка отсчета

Нажмите и удерживайте клавишу в течение 1 секунды для выбора точки отсчета. Соответствующая индикация появится на дисплее.



Фронт Штатив Тыл по умолчанию Откидная пятка

ИЗМЕРЕНИЯ

Единичное измерение

Короткое нажатие	Включение прибора.
Короткое нажатие	Включение лазера. Направить прибор на объект, расстояние до которого необходимо измерить.
Короткое нажатие	Измерение.
Короткое нажатие	Удаление последнего результата измерения.

Непрерывное измерение (трекинг)

Нажатие и удержание в течение 2 сек.	Активация режима непрерывного измерения (трекинг). Включение лазера.
	– угол наклона – максимальное значение – минимальное значение – текущее значение
Короткое нажатие или	Остановка работы режима. Последние измеренные значения отображаются на дисплее.

Сложение/вычитание

Короткое нажатие	Включение лазерного луча. Направить прибор на объект, расстояние до которого необходимо измерить.
Короткое нажатие	Первое измерение. Результат измерения - в основной строке дисплея.
Короткое нажатие	Индикатор сложения/вычитания появится на дисплее.
Короткое нажатие	Включение лазерного луча. Результат предыдущего измерения смещается из основной строки во вторую.
Короткое нажатие	Второе измерение.



– результат первого измерения
– результат второго измерения
– результат сложения/вычитания двух измерений.

Чтобы произвести сложение/вычитание большего количества измерений, нажмите и проведите вышеописанные действия необходимое количество раз.

Короткое нажатие	Выход из режима.
------------------	------------------

ВЫЧИСЛЕНИЯ

Площадь

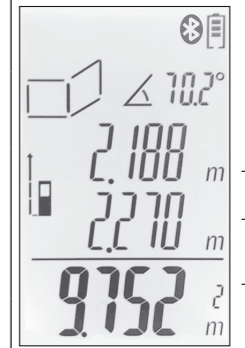
Короткое нажатие 1 раз	Символ появится на дисплее. Лазерный луч включен.
Короткое нажатие	Первое измерение (длина).
Короткое нажатие	Второе измерение (ширина). Площадь (произведение длины и ширины) будет вычислена и отображена в основной строке дисплея.
	– длина – ширина – площадь
Короткое нажатие	Выход из режима

Площадь стен (только Vector 80)

Короткое нажатие 2 раза	Символ появится на дисплее. Лазерный луч включен.
Короткое нажатие	Первое измерение (высота).
Короткое нажатие	Второе измерение (длина 1).



– Высота
– Длина 1
– Площадь



– Высота
– Длина 2
– Площадь стен

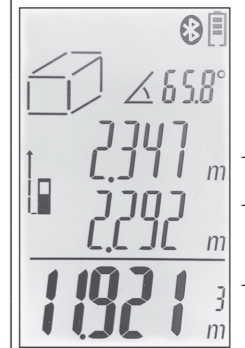
3, 4, 5 и т.д. измерения могут быть выполнены неограниченное количество раз. Каждый последующий результат вычисления площади стен прибавляется к предыдущему.

Короткое нажатие	Выход из режима.
------------------	------------------

Объем

Короткое нажатие 2 раза (Vector 60)	Символ появится на дисплее. Лазерный луч включен.
Короткое нажатие 3 раза (Vector 80)	
Короткое нажатие	Первое измерение (длина).
Короткое нажатие	Первое измерение (длина).
Короткое нажатие	Второе измерение (ширина).
	– Длина – Ширина – Площадь

Короткое нажатие – Третье измерение (высота).



– Ширина
– Высота
– Объем

Короткое нажатие	Выход из режима.
------------------	------------------

Вычисление горизонтального проложения с помощью уклономера (только Vector 80)

Короткое нажатие 4 раза. FUNC	Символ появится на дисплее. Лазерный луч включен.
Короткое нажатие DIST	Первое измерение (гипотенуза).
<p>– угол наклона (измеренный) – гипотенуза (измеренная) – вертикальное проложение (вычисленное) – горизонтальное проложение (вычисленное)</p>	
Короткое нажатие OFF	Exit the mode.

Вычисление с помощью 2-х дополнительных измерений (Теорема Пифагора)

Короткое нажатие 3 раза. (Vector 60) FUNC	Символ появится на дисплее. Лазерный луч включен.
Короткое нажатие 5 раз. (Vector 80) FUNC	
Короткое нажатие DIST	Первое измерение (гипотенуза).
Короткое нажатие DIST	Второе измерение (катет 1).
<p>- Гипотенуза - Катет 1 - Катет 2</p>	
Короткое нажатие OFF	Выход из режима.

Вычисление с помощью 3-х дополнительных измерений (сумма катетов)

Короткое нажатие 4 раза. (Vector 60) FUNC	Символ появится на дисплее. Лазерный луч включен.
Короткое нажатие 6 раз. (Vector 80) FUNC	
Короткое нажатие DIST	Первое измерение (гипотенуза 1).
Короткое нажатие DIST	Второе измерение (катет).
Короткое нажатие DIST	Третье измерение (гипотенуза 2)
<p>– катет (измеренный) – гипотенуза 2 (измеренная) – катет (вычисленный)</p>	

Короткое нажатие OFF	Выход из режима.
-----------------------------	------------------

Вычисление с помощью 3-х дополнительных измерений (вычитание катетов)

Короткое нажатие 5 раз. (Vector 60) FUNC	Символ появится на дисплее. Лазерный луч включен.
Короткое нажатие 7 раз. (Vector 80) FUNC	
Короткое нажатие DIST	Первое измерение (гипотенуза 1).
Короткое нажатие DIST	Второе измерение (гипотенуза 2).
Короткое нажатие DIST	Третье измерение (катет).
<p>– гипотенуза 2 (измеренная) – катет (измеренный) – катет (вычисленный)</p>	
Короткое нажатие OFF	Выход из режима.

Вычисление расстояния между двумя точками (только Vector 80)

Короткое нажатие 8 раз. FUNC	Символ появится на дисплее. Лазерный луч включен.
Короткое нажатие DIST	Первое измерение (расстояние до точки А).
Короткое нажатие DIST	Второе измерение (расстояние до точки В).
<p>– расстояние до точки А (измеренное) – расстояние до точки В (измеренное) – расстояние между точками А и В (вычисленное)</p>	
Короткое нажатие OFF	Выход из режима.

Память

Нажатие и удержание FUNC	Вход в память. Число сохраненных результатов измерений/ вычислений отображается на символе на дисплее.
Короткое нажатие \pm	Просмотр сохраненных результатов измерений/ вычислений.
Короткое нажатие OFF	Выход из режима.

Bluetooth

Функция Bluetooth по умолчанию всегда включена.

Символ постоянно отображается на дисплее. Активируйте Bluetooth на телефоне, планшете или ноутбуке. Для дальнейшей работы используйте приложение Smart Measure CONDROL.

КОДЫ СООБЩЕНИЙ

Во время работы с прибором на дисплее могут отображаться следующие коды ошибок:

Код ошибки	Причина возникновения	Способ устранения
301	Измерение вне диапазона.	Соблюдайте допустимый диапазон.
302	Отражаемый сигнал слишком слабый.	Используйте отражательную пластину.
303	Результат вычислений не может быть отображен (результат отрицательный или превышает 99999).	Повторите процедуру для получения меньшего/ положительного результата.
304	Ошибка расчета по теореме Пифагора.	Проведите измерения в правильной последовательности.
305	Низкий уровень заряда аккумулятора.	Зарядите аккумулятор.
306	Слишком низкая температура.	Нагрейте прибор до рабочей температуры.
307	Слишком высокая температура.	Остудите прибор до рабочей температуры.
308	Окружающее освещение слишком сильное.	Выберите для измерения место с менее ярким освещением.

УХОД И ЭКСПЛУАТАЦИЯ

Внимание! Прибор является точным устройством и требует бережного обращения. Соблюдение следующих рекомендаций продлит срок службы прибора:

- Не наводите прибор на солнце.
- Оберегайте прибор от ударов, падений, сильных вибраций, не допускайте попадания внутрь прибора жидкости, строительной пыли, посторонних предметов.
- Не подвергайте прибор воздействию экстремальных температур.
- В случае попадания жидкости в прибор в первую очередь выньте элементы питания, затем обратитесь в сервисный центр.
- Не храните и не используйте прибор в течение длительного времени в условиях повышенной влажности.
- Чистку прибора следует проводить мягкой влажной салфеткой.
- Содержите оптику прибора в чистоте и оберегайте от механических повреждений.
- Периодически проводите контрольные измерения. Особенно если прибор подвергался чрезмерным механическим или другим воздействиям, а также до и после выполнения ответственных измерительных работ.

УТИЛИЗАЦИЯ

Отслужившие свой срок приборы, принадлежности и упаковка должны быть утилизированы согласно действующим законам вашей страны. Не выбрасывайте аккумуляторы/батареи в коммунальный мусор, не бросайте их в огонь или воду. Аккумуляторы/батареи следует собирать и сдавать на рекуперацию или на экологически чистую утилизацию.

Только для стран-членов ЕС:
Не выбрасывайте инструменты в коммунальный мусор! Согласно Европейской Директиве 2002/96/ЕС о старых электрических и электронных инструментах и приборах и ее претворению в национальное право, отслужившие свой срок измерительные инструменты должны собираться отдельно и быть переданы на экологически чистую рекуперацию отходов. Неисправные или пришедшие в негодность аккумуляторы/батареи должны быть утилизированы согласно Директиве 2006/66/Е.

ГАРАНТИЙНЫЕ ОБЯЗАТЕЛЬСТВА

Гарантийный период составляет 36 месяцев с даты продажи. Срок службы прибора - 36 месяцев. Производитель гарантирует соответствие прибора заявленным характеристикам при условии соблюдения правил эксплуатации и хранения, установленных в настоящем руководстве по эксплуатации. Гарантия распространяется на недостатки и дефекты, являющиеся заводским браком или возникшие в результате заводского брака. Гарантия не распространяется на неисправности, возникшие в результате интенсивной эксплуатации и естественного износа, а также на элементы питания. Производитель оставляет за собой право вносить изменения в конструкцию и комплектацию прибора, не ухудшающие его основные характеристики.

СЕРВИС И КОНСУЛЬТАЦИОННЫЕ УСЛУГИ

Контакты для связи, консультации можно получить на сайте www.condtrol.ru.