

MICROSCOPE & TELESCOPE & BINOCULARS KIT

LabZZ

by levenhuk

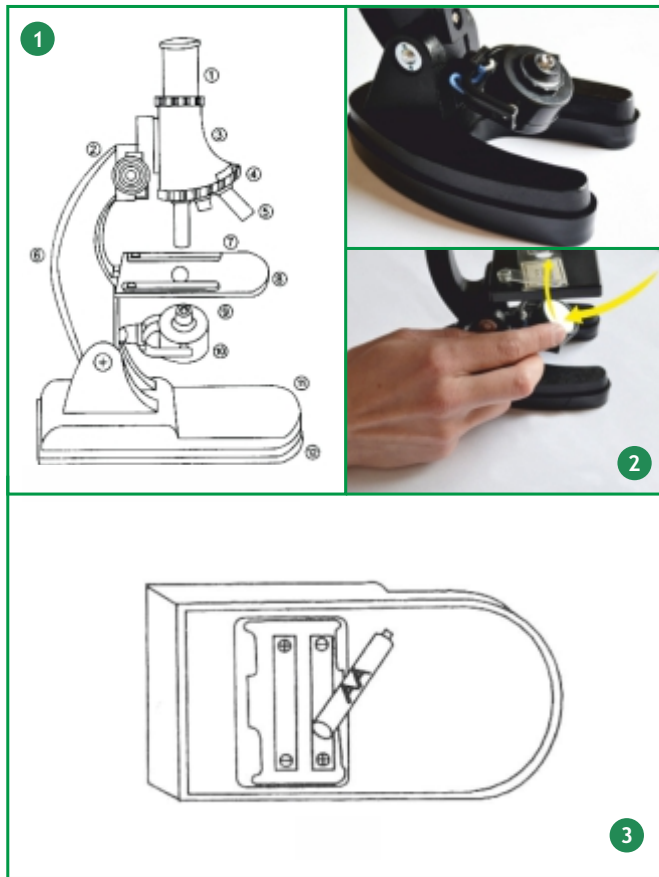


User Manual
Návod k použití
Bedienungsanleitung
Guía del usuario
Instrukcja obsługi
Инструкция по эксплуатации

Levenhuk LabZZ MTB3

levenhuk[®]
Zoom&Joy

Levenhuk LabZZ MTB3 Microscope



(EN)

1. Eyepiece tube
2. Focusing knob
3. Microscope optical tube (monocular head)
4. Revolving nosepiece
5. Objective
6. Stand
7. Stage
8. Slide holder
9. Mirror
10. Illumination
11. Battery compartment
12. Base

(CZ)

1. Tubus okuláru
2. Zaostřovací šroub
3. Optický tubus (monokulární hlava)
4. Revolverový nosič objektivů
5. Objektiv
6. Rameno
7. Pracovní stolek
8. Držák preparátů
9. Zrcátko
10. Osvětlení
11. Prostor pro baterie
12. Stativ

(DE)

1. Okularrohr
2. Fokussierad
3. Optischer Mikroskoptubus (Monokularkopf)
4. Objektivrevolver
5. Objektiv
6. Stativgriff
7. Objektstisch
8. Probenhalter
9. Spiegel
10. Beleuchtungslampe
11. Batteriefach
12. Sockel

(ES)

1. Tubo ocular
2. Tornillo de enfoque
3. Tubo óptico del microscopio (cabezal monocular)
4. Revólver giratorio
5. Objetivo
6. Soporte
7. Platina
8. Pinza para portaobjetos
9. Espejo
10. Iluminación
11. Compartimento de las pilas
12. Base

(PL)

1. Tubus okularu
2. Pokrętko ustawiania ostrości
3. Tuba optyczna (Głowica monokularowa)
4. Głowica obrotowa
5. Obiektyw
6. Statyw
7. Stolik
8. Uchwyt na preparaty
9. Lusterko
10. Oświetlenie
11. Komora baterii
12. Podstawa

(RU)

1. Окулярная трубка
2. Ручка фокусировки
3. Тубус микроскопа
4. Революрное устройство
5. Объектив
6. Штатив
7. Предметный столик
8. Зажим
9. Зеркало
10. Лампа подсветки
11. Батарейный отсек
12. Основание

Levenhuk LabZZ MTB3 Binoculars



(EN)

1. Objectives
2. Eyepieces and eyecups
3. Central focusing wheel
4. Binoculars shell
5. Binocular axis

(CZ)

1. Objektivy
2. Okuláry a očníce
3. Středový zaostřovací šroub
4. Tělo binokuláru
5. Osa binokuláru

(DE)

1. Objektive
2. Okulare und Augenmuscheln
3. Zentrales Fokussierad
4. Fernglasgehäuse
5. Fernglasachse

(ES)

1. Objetivos
2. Oculares y ojerias
3. Rueda de enfoque central
4. Estuche
5. Eje de los prismáticos

(PL)

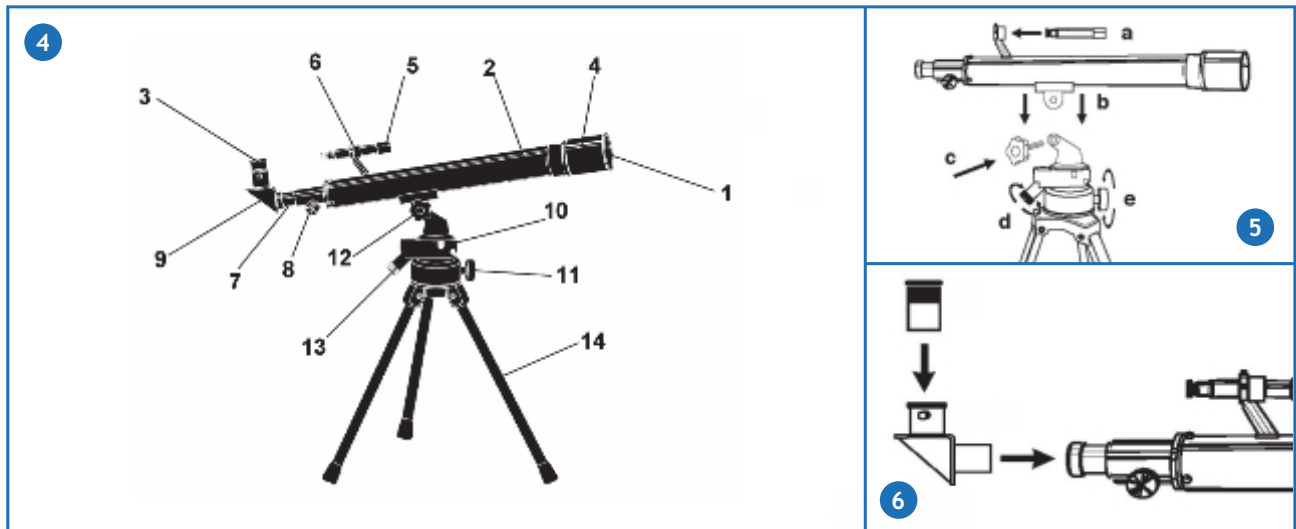
1. Obiektywy
2. Okular i muszle oczne
3. Centralne pokrętko regulacji ostrości
4. Obudowa lornetki
5. Oś lornetki

(RU)

1. Объективы
2. Окуляры и наглазники
3. Колесо центральной фокусировки
4. Корпус бинокля
5. Биноклярная ось

	EN	CZ	DE	ES	PL	RU
30 mm	Aperture	Apertura	Öffnung	Apertura	Apertura	Апертура
4x	Magnification	Zvětšení	Vergrößerung	Aumento	Powiększenie	Увеличение
+	Central focusing	Středové zaostřování	Zentral Scharfstellung	Enfoque central	Centralna regulacja ostrości	Центральная фокусировка

Levenhuk LabZZ MTB3 Telescope



EN

1. Objective
2. Optical tube
3. Eyepiece
4. Sun shade
5. Finderscope (optical, 2x)
6. Finderscope bracket
7. Focuser
8. Focusing knob
9. Diagonal mirror
10. Altazimuth mount
11. Azimuth lock knob
12. Altitude lock knob
13. Slow-motion control
14. Tabletop tripod

CZ

1. Objektiv
2. Optický tubus
3. Okulár
4. Sluneční clona
5. Pointační dalekohled (optický, 2x)
6. Patice pointačního dalekohledu
7. Okulárový výtah
8. Zaostřovací šroub
9. Diagonální zrcátko
10. Azimutální montáž
11. Aretační šroub azimutu
12. Aretační šroub elevace
13. Regulace přesného nastavení
14. Stolní stativ

DE

1. Objektiv
2. Optischer Tubus
3. Okular
4. Gegenlichtblende
5. Sucherrohr (optisch, 2x)
6. Suchersockel
7. Fokussierer
8. Fokussierrad
9. Diagonalspiegel
10. Altazimut-Montierung
11. Azimuth-Arretierung
12. Höhenwinkel-Arretierung
13. Feinabstimmung
14. Tischstativ

ES

1. Objetivo
2. Tubo óptico
3. Ocular
4. Parasol del objetivo
5. Buscador (óptico, 2x)
6. Base del buscador
7. Enfocador
8. Tornillo de enfoque
9. Espejo diagonal
10. Montura altazimutal
11. Tornillo de bloqueo de azimut
12. Tornillo de bloqueo de altitud
13. Control de movimiento lento
14. Trípode de sobremesa

PL

1. Obiektyw
2. Tuba optyczna
3. Okular
4. Osłona przeciwsloneczna
5. Szukacz (optyczny, 2x)
6. Podstawa szukacza
7. Tubus ogniskujący
8. Pokrętko ustawiania ostrości
9. Lustro diagonalne
10. Montaż azymutalny
11. Pokrętło blokujące teleskop w poziomie
12. Pokrętło blokujące teleskop w pionie
13. Pokrętło mikroruchów
14. Statyw stołowy

RU

1. Объектив
2. Труба телескопа
3. Окуляр
4. Защитная бленда
5. Искатель (оптический, 2x)
6. Крепление для искателя
7. Фокусер
8. Ручка фокусировки
9. Диагональное зеркало
10. Азимутальная монтировка
11. Винт регулировки по азимуту
12. Винт регулировки по высоте
13. Механизм тонких движений
14. Настольная тренога

	EN	CZ	DE	ES	PL	RU
50 mm	Aperture	Apertura	Öffnung	Apertura	Apertura	Апертура
600 mm	Focal length	Ohnisková vzdálenost	Brennweite	Distancia focal	Ogniskowa	Фокусное расстояние
60x, 120x	Magnification	Zvětšení	Vergrößerung	Aumento	Powiększenie	Увеличение

Dear friend!

Levenhuk LabZZ MTB3 Kit for children will open up the amazing world of exciting scientific discoveries! With the telescope you can study the Moon, planets and bright stars, unravel the mysteries of the endless Cosmos and observe the most distant objects. The microscope, on the other hand, will help you witness the unseen - things so small that you can't see them with the naked eye! It will help you find out what things around us are made of and what kinds of secrets are hidden from us in every day life. And you can take the binoculars with you everywhere and watch animals or birds. Your experience with Levenhuk LabZZ MTB3 Kit will be both informative and entertaining. Carefully read the entire manual before operating the microscope, telescope or binoculars. Don't lose it; you might need it later.

Information for parents

Dear adults! Remember that you are responsible for your child at all times. Always ensure the child's safety when working with the microscope, telescope or binoculars. Read this entire manual carefully, especially the handling and maintenance instructions. Even if your child is old enough and reads well, repeat all the rules aloud one more time before beginning to work with the instruments. Make sure that he or she clearly understands these instructions.

CAUTION! CHOKING HAZARD! These devices include small parts. The microscope, telescope and binoculars are designed for children over 5 years of age and should only be used under adult supervision.

Care and maintenance (microscope, telescope and binoculars)

- Never, under any circumstances, look directly at the Sun through this device without a special filter, or look at another bright source of light or at a laser, as this may cause PERMANENT RETINAL DAMAGE and may lead to BLINDNESS. You should ONLY observe the Sun with a professional solar aperture filter that completely covers the front of the instrument. The front end of the finderscope must be covered with aluminum foil or other non-transparent material to protect the internal parts of the telescope from damage. For safe solar observations we recommend using filters with an optical density (OD) of 5.0. Such filters transmit only 0.001% of the sun's light, blocking the remaining 99.999%. Most reliable solar filters are made of Baader AstroSolar film.
- Take necessary precautions when using the device with children or others who have not read or who do not fully understand these instructions. All parts will arrive in one box. Be careful when unpacking it. We recommend keeping the original shipping containers. In the event that the telescope needs to be shipped to another location, having the proper shipping containers will help ensure that your telescope survives the journey intact. Make sure all the parts are present in the packaging. Be sure to check the box carefully, as some parts are small. Do not try to disassemble the device on your own for any reason. For repairs and cleaning of any kind, please contact your local specialized service center. Do not touch the optical surfaces with your fingers. To clean the device exterior, use only special cleaning wipes and special optics cleaning tools from Levenhuk. Do not use any corrosive or acetone-based fluids to clean the optics.
- Protect the device from sudden impact and excessive mechanical force. Do not apply excessive pressure when adjusting focus. Do not overtighten the locking screws. Store the device in a dry, cool place away from hazardous acids and other chemicals, away from heaters, open fire and other sources of high temperatures. If you are not using the device for extended periods of time, store the objective lenses and eyepieces separately from it. Be careful during your observations, always replace the dust cover after you are finished with observations to protect the device from dust and stains. Do not use the device for lengthy periods of time, or leave it unattended in direct sunlight. Keep the device away from water and high humidity. When using the microscope, try not to use it near flammable materials or substances (benzene, paper, cardboard, plastic, etc.), as the base may heat up during use, and might become a fire hazard. Always unplug the microscope from a power source before opening the base or changing the illumination lamp. Regardless of the lamp type (halogen or incandescent), give it some time to cool down before trying to change it, and always change it to a lamp of the same type.
- The chemicals might be harmful to human health. Use only those specified in the user manual. Make sure that your child knows how to use with them correctly. The workplace should be kept clean and tidy. Don't work with specimens in the kitchen near food you eat. The area should be well lit. You also should have fast and convenient access to clean water. Find a separate bucket for waste. All liquids should be poured down the drain, not into the sink. The kit includes everything needed for assembly, but if you need some additional tool you can use a basic set of standard instruments that almost everyone keeps at home.

Seek medical advice immediately if a small part or a battery is swallowed.

Batteries safety instructions

- Always purchase the correct size and grade of battery most suitable for the intended use. Always replace the whole set of batteries at one time; taking care not to mix old and new ones, or batteries of different types. Clean the battery contacts and also those of the device prior to battery installation. Make sure the batteries are installed correctly with regard to polarity (+ and -).
- Remove batteries from equipment that is not to be used for an extended period of time. Remove used batteries promptly. Never attempt to recharge primary batteries as this may cause leakage, fire, or explosion. Never short-circuit batteries as this may lead to high temperatures, leakage, or explosion. Never heat batteries in order to revive them. Do not disassemble batteries. Remember to switch off devices after use.
- Keep batteries out of the reach of children, to avoid risk of ingestion, suffocation, or poisoning. Utilize used batteries as prescribed by your country laws.

Welcome to the microworld!

With Levenhuk LabZZ MTB3 Microscope you will make lots of interesting discoveries and create exciting memories! Remember that following safety rules is absolutely necessary. In the kit you will find the microscope, as well as many useful accessories. Everything in place? Check it together with your parents.

How to work with the microscope

1. Check the microscope scheme thoroughly. ❶
2. Install batteries for illumination. Flip the microscope over and remove the cap from the battery compartment. Insert two AA batteries (those are not the thinnest penlight batteries, but those that are a bit thicker). Insert the batteries according to their polarity - make sure that the "+" sign on the battery matches "+" in the compartment (same goes for "-" signs). ❸ Put the cap back on. Don't hesitate to ask adults for help if you are not sure.
3. Place the microscope on the flat surface near the source of bright light (window or a lamp). Turn the mirror towards the illumination source. You should see a bright light spot through the eyepiece. If illumination in your room is not enough, switch on the built-in illumination by turning over the mirror. ❷

CAUTION! Never direct the mirror towards the Sun, as it may ruin your eyesight and even cause blindness.

4. Now the microscope is ready for work.
5. Take a prepared microscope slide, place it on the stage and secure with holders.
6. Choose the objective by rotating the revolving nosepiece. The microscope comes with three objectives having different magnifications (15x, 45x and 90x). Using these objectives with a 10x eyepiece, you can get 150x, 450x and 900x magnifications. The longer the objective, the higher magnification it produces. Most observations are better performed with lower magnification, so choose the shortest objective to start. You will hear a "click" when the objective is in place.
7. Slowly rotate the focusing knob so the objective is almost touching the slide. BUT! It shouldn't actually touch the slide as both the slide and the objective may be damaged if it does. That's why you need to do everything very slowly and carefully. When the objective is very close to the slide (but doesn't touch it!), look through the eyepiece and start to rotate the focusing knob in the opposite direction very slowly until you see a clear image.

The microscope kit includes:

microscope, 10x eyepiece, spare bulb, empty flask (3 pcs), slides and cover slips (3 pcs each), slide stickers (3 pcs), plastic tools (scalpel, pipette, spatula, forceps, dissecting needle).

Wonderful telescope

How to work with the telescope

It is very important to assemble the telescope correctly so it works the right way. ❺ Examine the telescope carefully. Try to remember the names of its parts, where each part goes and what it's needed for. ❹ It's better to assemble the telescope with adult help.

1. Open the box and put out all the parts. Double-check the box when it's empty - some small parts might still be in there.
2. Spread the tripod legs and install it on a flat surface so it is stable. The tripod height is adjustable.
3. Find the mounting screw on the telescope (located underneath). Loosen it and set the telescope on the mount. Insert the screw in the holes on the telescope and the mount. Carefully tighten it. Attention: Do not overtighten the screw as you may accidentally damage the screw thread.
4. Loosen the finderscope mounting screws and slide it in the finderscope base. Carefully tighten the screws. The finderscope should be installed in a way so it points in the same direction as the telescope tube.
5. In the box with your telescope you will find two eyepieces. The lower the number on the eyepiece, the higher the magnification. It's better to start observing using an eyepiece with low magnification and wide field of view.
6. The diagonal mirror ❻ is installed in the focuser before the eyepiece; it turns the image upside down, which is especially helpful for terrestrial observations.

How to start observing

CAUTION! Never look at the Sun and the sky around it through a telescope! It can ruin eyesight and even cause blindness!

Before you start exploring the Cosmos, you should learn to operate the telescope during the day. Use the 18mm erecting eyepiece to observe different terrestrial objects – houses, trees, antennas on the rooftops and many others! This way you will learn to control the telescope and focus on desired objects. Besides, it's a lot of fun! **Attention: The telescope should be used in a place protected from the wind.**

When you get to observing the Moon, planets and stars at night, remember to choose locations away from street lamps, car lights and window lights. Try to observe on nights when the stars shine bright and evenly. Point the telescope at the desired object, for example, the Moon. Looking through the finderscope, slowly move the tube until the object is in the center. Now look through the eyepiece and you will see the image of the object magnified many times! When working with the telescope, be careful and patient. Don't push it and don't move it from its place. After some training you will learn to move the telescope tube without losing the object from the sight of the eyepiece.

The telescope kit includes:

telescope, 5mm and 10mm eyepieces, 2x optical finder, diagonal mirror, 65–115mm aluminum tripod.

Compact binoculars

How to start observing

CAUTION! Never look at the Sun and the sky around it through a telescope! It can ruin eyesight and even cause blindness!

Adjusting interpupillary distance

Each person has their own interpupillary distance (the distance between the eyes); that's why it's so important to correctly adjust it to enjoy the most comfortable observations. Take the binoculars with both hands and bring them to your eyes. Hold the binoculars so that you can see one circle with both eyes.

Focusing

Choose the object you want to observe. Slowly rotate the focusing wheel while looking through the eyepieces until the image you see is clear.

The binoculars kit includes:

binoculars, pouch, cleaning wipe, strap.

Levenhuk International Lifetime Warranty

All Levenhuk telescopes, microscopes, binoculars and other optical products, except for accessories, carry a **lifetime warranty** against defects in materials and workmanship. Lifetime warranty is a guarantee on the lifetime of the product on the market. All Levenhuk accessories are warranted to be free of defects in materials and workmanship for **six months** from date of retail purchase. Levenhuk will repair or replace such product or part thereof which, upon inspection by Levenhuk, is found to be defective in materials or workmanship. As a condition to the obligation of Levenhuk to repair or replace such product, the product must be returned to Levenhuk together with proof of purchase satisfactory to Levenhuk.

This warranty does not cover consumable parts, such as bulbs (electrical, LED, halogen, energy-saving and other types of lamps), batteries (rechargeable and non-rechargeable), electrical consumables etc.

For further details, please visit our web site: <https://www.levenhuk.com/warranty>

If warranty problems arise, or if you need assistance in using your product, contact the local Levenhuk branch.

Sada Levenhuk LabZZ MTB3 (mikroskop, teleskop a binokulární dalekohled)

CZ

Vážení přátelé!

Sada Levenhuk LabZZ MTB3 pro děti jim otevírá bránu do úžasného světa vzrušujících vědeckých objevů! Pomocí teleskopu v sadě můžete studovat Měsíc, planety a jasné hvězdy, odhalovat záhady nekonečného vesmíru a pozorovat nejvzdálenější objekty. Naopak mikroskop vám pomůže spatřit to, co jste dosud neměli šanci zahlédnout - věci tak malé, že je prostým okem nemůžete uvidět! Mikroskop v sadě vám pomůže zjistit, z čeho se skládají věci kolem nás a jaké typy záhad se před námi v každodenním životě skrývají. Binokulární dalekohled si můžete vzít všude tam, kam se vydáte, a pozorovat zvířata nebo ptáky. Vaše zážitky se sadou Levenhuk LabZZ MTB3 budou poučné i zábavné.

Před zahájením práce s mikroskopem, teleskopem nebo dalekohledem si pozorně přečtěte celý návod. Neztrat'te jej, může se vám později hodit.

Informace pro rodiče

Vážení dospělí! Nezapomínejte na to, že za své děti vždy odpovídáte vy sami. Při práci s mikroskopem, teleskopem nebo dalekohledem neustále dbejte na bezpečnost dítěte. Pozorně si přečtěte celý návod, zejména pokyny týkající se manipulace a údržby. I když je vaše dítě dostatečně staré a dobře čte, zopakujte mu před zahájením práce s přístrojem ještě jednou všechny pokyny. Ujistěte se, že tyto pokyny dobře chápe.

POZOR! NEBEZPEČÍ UDUŠENÍ! Přístroje obsahují malé součásti. Mikroskop, teleskop a binokulární dalekohled je určen pro děti ve věku nad 5 let a měly by se používat pouze pod dohledem dospělé osoby.

Péče a údržba (mikroskop, teleskop a binokulární dalekohled)

- Nikdy, za žádných okolností se tímto přístrojem nedívejte přímo do slunce, jiného světelného zdroje nebo laseru, neboť hrozí nebezpečí TRVALÉHO POŠKOZENÍ SÍTNICE a případně i OSLEPNUTÍ. Používejte výhradně profesionální sluneční filtry, které kompletně překrývají objektiv mikroskopu. Přední strana hledáčku (pointačního dalekohledu) musí být zakryta aluminiovou fólií nebo jiným neprůhledným materiálem, který chrání vnitřní součásti dalekohledu před poškozením. K bezpečnému pozorování slunce doporučujeme používat filtry s optickou hustotou (OD) hodnoty 5.0. Tyto filtry propouštějí pouze 0,001 % slunečního světla a odstiňují zbylých 99,999 %. Nejspolehlivější sluneční filtry se vyrábějí z fólie Baader AstroSolar.

- Při použití tohoto přístroje dětmi nebo osobami, které tento návod nečetly nebo s jeho obsahem nebyly plně srozuměny, uplatněte nezbytná preventivní opatření. Všechny součásti jsou dodávány v jediné krabici. Při jejím vybalování postupujte opatrně. Doporučujeme vám uschovat si originální přepravní obaly. V případě, že bude potřeba teleskop přepravit do jiného místa, mohou správné přepravní obaly pomoci předejít jeho poškození při přepravě. Přesvědčte se, zda jsou v obalu všechny součásti. Obsah důkladně zkontrolujte, neboť některé součásti jsou malé. Obsah důkladně zkontrolujte, neboť některé součásti jsou malé. Nepokoušejte se přístroj sami rozebírat. S opravami veškerého druhu se obraťte na své místní specializované servisní středisko. Nedotýkejte se svými prsty povrchů optických prvků. K vyčištění vnějších částí přístroje použijte výhradně speciální čisticí ubrousky a speciální nástroje k čištění optiky dodávané společností Levenhuk. K čištění optiky nepoužívejte žádné žíraviny ani kapaliny na acetonové bázi.
- Přístroj chraňte před prudkými nárazy a nadměrným mechanickým namáháním. Při zaostřování nevyvíjejte nadměrný tlak. Neutahujte šrouby konstrukce příliš silně. Přístroj ukládejte na suchém, chladném místě, mimo dosah nebezpečných kyselin nebo jiných chemikálií, topných těles, otevřeného ohně a jiných zdrojů vysokých teplot. Pokud svůj přístroj nebudete delší dobu používat, uložte čočky objektivu a okuláru odděleně od něho. Při pozorování dbejte na opatrnost; po skončení pozorování vždy nasad'te ochranný kryt, abyste přístroj ochránili před prachem a jiným znečištěním. Přístroj příliš dlouho nepoužívejte ani neponechávejte bez dozoru na přímém slunci. Chraňte přístroj před stykem s vodou. Mikroskop nepoužívejte v blízkosti hořlavých materiálů nebo látek (benzín, papír, lepenka, plast apod.), neboť stativ se může při práci zahřívát a vyvolávat riziko požáru. Před otevřením stativu nebo výměnou žárovky osvětlení vždy mikroskop odpojte od zdroje napájení. Bez ohledu na typ žárovky (halogenová nebo obyčejná) ji nechejte před výměnou nějakou dobu vychladnout a vždy ji vyměňujte za žárovku stejného typu.
- Chemické sloučeniny mohou být lidskému zdraví škodlivé. Používejte pouze ty, které jsou uvedeny v návodu. Ujistěte se, zda vaše dítě ví, jak je má správně používat. Pracoviště je potřeba udržovat v čistotě a pořádku. S preparáty nepracujte v kuchyni a v blízkosti potravin. Prostor by měl být dobře osvětlen. Dále je potřeba zajistit rychlý a pohodlný přístup k čisté vodě. Používejte samostatnou nádobu na odpad. Veškeré kapaliny je nutné vylévat přímo do kanalizace, ne do kuchyňské výlevky. Tato sada obsahuje vše potřebné k montáži, ale budete-li potřebovat další pomůcky, můžete použít základní sadu standardních nástrojů, které má prakticky každý doma.

Při náhodném požití malé součásti nebo baterie ihned vyhledejte lékařskou pomoc.

Bezpečnostní pokyny týkající se baterií

- Vždy nakupujte baterie správné velikosti a typu, které jsou nejvhodnější pro zamýšlený účel. Při výměně vždy nahrazujte celou sadu baterií a dbejte na to, abyste nemíchali staré a nové baterie, případně baterie různých typů. Před instalací baterií vyčistěte kontakty na baterii i na přístroji. Ujistěte se, zda jsou baterie instalovány ve správné polaritě (+ resp. -).
- V případě, že zařízení nebudete delší dobu používat, vyjměte z něj baterie. Použité baterie včas vyměňujte. Baterie se nikdy nepokoušejte dobíjet, mohlo by dojít k úniku obsahu baterie, požáru nebo k explozi. Baterie nikdy nezkratujte, mohlo by to vést ke zvýšení teploty, úniku obsahu baterie nebo k explozi. Baterie se nikdy nepokoušejte oživit zahříváním. Nepokoušejte se rozebírat baterie. Po použití nezapomeňte přístroj vypnout.
- Baterie uchovávejte mimo dosah dětí, abyste předešli riziku spolknutí, vdechnutí nebo otravy. S použitými bateriemi nakládejte v souladu s vašimi vnitrostátními předpisy.

Vítejte v mikroskopě!

S mikroskopem Levenhuk LabZZ MTB3 uděláte řadu zajímavých objevů a získáte vzrušující vzpomínky! Pamatujte, že je naprosto nezbytné dodržovat bezpečnostní pravidla. V krabici naleznete mikroskop i mnoho užitečného příslušenství. Je všechno na místě? Zkontrolujte to společně s rodiči.

Práce s mikroskopem

1. Důkladně si prohlédněte schéma mikroskopu. ❶
2. Nainstalujte baterie pro osvětlení. Otočte mikroskop vzhůru nohama a sejměte víčko z prostoru pro baterie. Vložte dvě baterie velikosti AA (nejedná se o nejtenčí tužkové baterie, ale o jednu velikost větší). Baterie vložte ve správné polaritě - značka „+“ na baterii musí odpovídat značce „+“ v prostoru pro baterie (totéž platí i pro značky „-“). ❷ Nasad'te zpět víčko. Pokud si něčím nebudete jisti, nestyd'te se požádat o pomoc dospělě.
3. Mikroskop postavte na rovný povrch poblíž jasného světelného zdroje (okna nebo lampy). Zrcátko otočte směrem ke světelnému zdroji. Přes okulár byste měli vidět jasný světelný kruh. Pokud nebude osvětlení v místnosti postačující, zapněte otočením zrcátka integrovaný světelný zdroj. ❸

DŮLEŽITÉ UPOZORNĚNÍ! Mikroskop nikdy neotáčejte směrem ke Slunci, mohli byste si poškodit zrak nebo dokonce oslepnout.

4. Nyní je mikroskop připraven k použití.
5. Vezměte připravený preparát, položte jej na pracovní stůl a upevněte svorkami.
6. Pootočením revolverové hlavice vyberte objektiv. Mikroskop je vybaven třemi objektivy, které nabízejí různé hodnoty zvětšení (15x, 45x a 90x). Pokud tento mikroskop použijete s okulárem 10x, můžete získat zvětšení 150x, 450x a 900x. Čím delší je objektiv, tím vyšší hodnotu zvětšení nabízí. Většinu pozorování je vhodné provádět při nižším zvětšení, takže si pro začátek vyberte nejkratší objektiv. Jakmile bude objektiv na svém místě, uslyšíte cvaknutí.
7. Zvolna otáčejte zaostřovacím šroubem tak, aby se krycí sklička preparátu téměř dotýkala čočky objektivu. ALE! Objektiv by se nikdy neměl dotknout preparátu, neboť v tom případě by se mohl objektiv i preparát poškodit. Proto musíte vše dělat velmi pomalu a opatrně. Až bude objektiv těsně u sklička preparátu (ale nedotkne se jej), podívejte se přes okulár a začněte zaostřovacím šroubem otáčet opačným směrem, dokud nevidíte čistý obraz.

Obsah soupravy:

mikroskop, okulár 10x, náhradní žárovka, čistá nádobka (3), čistá sklička (3) a krycí sklička (3), samolepicí etikety na preparáty (3), skalpel, pipeta, stěrka, kleštičky, preparační jehla.

Úžasný teleskop

Práce s teleskopem

Aby teleskop pracoval tak, jak má, je velmi důležité jej správně sestavit. **5** Teleskop si řádně prohlédněte. Zkuste si zapamatovat názvy jeho jednotlivých částí, kam příslušná součást patří a k čemu je potřeba. **4** Při sestavování teleskopu je lepší využít pomoci dospělé osoby.

1. Otevřete krabici a vyndejte z ní všechny součásti. Prázdnou krabici ještě jednou zkontrolujte – mohou v ní stále být některé drobné součástky.
2. Roztáhněte nohy stativu a umístěte jej na rovném povrchu, aby byl stabilní. Výška stativu je nastavitelná.
3. Na teleskopu vyhledejte montážní šroub (nachází se dole). Uvolněte jej a položte teleskop na montáž. Šroub vložte do otvorů na teleskopu a na montáži. Opatrně jej utáhněte. Pozor: Šroub neutahujte příliš napevno, mohli byste nechtěně poškodit závit šroubu.
4. Uvolněte montážní šrouby hledáčku nasuňte jej na patici hledáčku. Šrouby opatrně utáhněte. Hledáček je třeba umístit tak, aby mířil stejným směrem jako tubus teleskopu.
5. V krabici s teleskopem naleznete dva okuláry. Čím menší je číslo na okuláru, tím vyšší hodnoty zvětšení nabízí. Pozorování doporučujeme zahájit pomocí okuláru s malým zvětšením a širokým zorným polem.
6. Diagonální zrcátko **6** se instaluje před okulár do okulárového výtahu; otáčí obraz vzhůru nohama, což je důležité zejména při pozemním pozorování.

Jak zahájit pozorování

DŮLEŽITÉ UPOZORNĚNÍ! Přes teleskop se nikdy nedívejte přímo do Slunce nebo jeho bezprostřední okolí! Mohlo by dojít k poškození vašeho zraku nebo dokonce oslepnutí!

Než začnete zkoumat vesmír, měli byste se naučit teleskop obsluhovat během dne. Nejprve pozorujte různé pozemní objekty – budovy, stromy, antény na střechách a řadu dalších! Tak se naučíte teleskop ovládat a zaostřovat na požadované objekty. A navíc je to skvělá zábava!

Pozor: Teleskop použijte v místě chráněném před větrem.

Až se dostanete k pozorování Měsíce, planet a hvězd na obloze, nezapomeňte si vybrat místo co nejdále od pouličního osvětlení, reflektorů automobilů a svítících oken. Pozorování provádějte hlavně během nocí, kdy hvězdy září jasně a rovnoměrně.

Teleskop namiřte na požadovaný objekt, například Měsíc. Dívejte se do hledáčku a přitom pomalu pohybujte tubusem, dokud nebude objekt ve středu zorného pole. A teď se podívejte do okuláru a uvidíte v něm mnohonásobně zvětšený obraz objektu!

Při práci s teleskopem postupujte opatrně a trpělivě. Neopírejte se o něj a nepřemísťujte jej. Po určitém tréninku se naučíte tubusem teleskopu pohybovat tak, abyste pozorovaný objekt neztratili ze zorného pole okuláru.

Obsah soupravy:

teleskop, okuláry 5 mm a 10 mm, optický hledáček 2x, diagonální zrcátko, hliníkový stativ 65–115 mm.

Kompaktní binokulární dalekohled

Jak zahájit pozorování

UPOZORNĚNÍ! Nikdy se přes dalekohled nedívejte přímo do Slunce nebo jeho bezprostřední okolí! Mohlo by dojít k poškození vašeho zraku nebo dokonce oslepnutí!

Nastavení vzdálenosti mezi tubusy

Každý z nás má jinou mezipupilární vzdálenost (tedy vzdálenost mezi zornicemi); proto je tak důležité ji správně nastavit, abyste si mohli vychutnat co nejpohodlnější pozorování. Uchopte binokulární dalekohled do obou rukou a přiložte jej k očím. Dalekohled upravte tak, abyste oběma očima viděli jeden kruh.

Zaostřování

Vyberte objekt, který chcete pozorovat. Pomalu otáčejte knoflíkem ostření, dokud není obraz v okulárech ostrý.

Obsah soupravy:

binokulární dalekohled, pouzdro, čistící utěrka, závěsný řemen.

Mezinárodní doživotní záruka Levenhuk

Na veškeré teleskopy, mikroskopy, triedy a další optické výrobky značky Levenhuk, s výjimkou příslušenství, se poskytuje **doživotní záruka** pokrývající vady materiálu a provedení. Doživotní záruka je záruka platná po celou dobu životnosti produktu na trhu. Na veškeré příslušenství značky Levenhuk se poskytuje záruka toho, že je dodáváno bez jakýchkoli vad materiálu a provedení, a to po dobu **dvou let** od data zakoupení v maloobchodní prodejně. Společnost Levenhuk provede opravu či výměnu výrobku nebo jeho části, u nichž se po provedení kontroly společností Levenhuk prokáže výskyt vad materiálu nebo provedení. Nezbytnou podmínkou toho, aby společnost Levenhuk splnila svůj závazek provést opravu nebo výměnu takového výrobku, je předání výrobku společně s dokladem o nákupu vystaveným ve formě uspokojivé pro Levenhuk.

Tato záruka se nevztahuje na spotřební materiál, jako jsou žárovky (klasické, LED, halogenové, úsporné a jiné typy žárovek), baterie (akumulátory i jednorázové baterie), elektromontážní spotřební materiál apod.

Další informace – navštivte naše webové stránky: <http://www.levenhuk.cz/zaruka>

V případě problémů s uplatněním záruky, nebo pokud budete potřebovat pomoc při používání svého výrobku, obraťte se na místní pobočku společnosti Levenhuk.

Hallo, junger Entdecker!

Das Levenhuk LabZZ MTB3 Set für Kinder ist deine Eintrittskarte in eine faszinierende Welt voll von spannenden wissenschaftlichen Entdeckungen. Mit dem Teleskop aus dem Set kannst du den Mond, die Planeten und helle Sterne studieren, die Geheimnisse des Weltalls entdecken und Dinge beobachten, die sehr weit von dir entfernt sind. Und mit dem Mikroskop kannst du Dinge sichtbar machen, die so klein sind, dass du sie mit bloßem Auge gar nicht sehen kannst. Finde heraus, woraus die Gegenstände aus unserem Alltag bestehen und welche Geheimnisse sie normalerweise vor uns verbergen. Das Fernglas lässt sich einfach am Körper tragen und überall hin mitnehmen, um Tiere oder Vögel zu beobachten. Mit dem Levenhuk LabZZ MTB3 Set wirst du viel Neues lernen und ebenso viel Spaß haben.

Bitte lies diese Anleitung sorgfältig von Anfang bis Ende durch, bevor du etwas mit dem Mikroskop, Teleskop oder Fernglas unternimmst. Verliere diese Anleitung nicht, vielleicht brauchst du sie später noch einmal.

Informationen für Eltern

Liebe Erwachsene! Bitte denken Sie daran, dass Sie immer die Verantwortung für Ihr Kind tragen. Sorgen Sie immer für die Sicherheit Ihres Kindes, während es sich mit dem Mikroskop, Teleskop oder Fernglas beschäftigt. Lesen Sie die gesamte Anleitung sorgfältig durch, insbesondere die Anweisungen zu Bedienung und Pflege. Auch wenn Ihr Kind schon gut lesen kann, sollten Sie alle Regeln ein weiteres Mal laut aussprechen, bevor Ihr Kind das Mikroskop selbst benutzen darf. Vergewissern Sie sich davon, dass Ihr Kind die Anweisungen auch versteht.

VORSICHT! ERSTICKUNGSGEFAHR! Die Instrumente enthalten verschluckbare Kleinteile. Das Mikroskop, das Teleskop und das Fernglas sind für Kinder ab 5 Jahren gemacht und dürfen nur unter der Aufsicht Erwachsener benutzt werden.

Pflege und Wartung (Mikroskop, Teleskop und Fernglas)

- Richten Sie das Instrument unter keinen Umständen direkt auf die Sonne, andere helle Lichtquellen oder Laserquellen. Es besteht die Gefahr bei DAUERHAFTER NETZZHAUTSCHÄDEN und ERBLINDUNGSGEFAHR. Vorsicht bei Sonnenbeobachtungen: Ausschließlich professionelle Sonnenblendenfilter verwenden, die die Vorderseite des Instruments vollständig bedecken. Die Vorderseite des Sucherrohrs muss mit Aluminiumfolie oder einem anderen undurchsichtigen Material abgedeckt werden, damit die inneren Komponenten des Teleskops nicht beschädigt werden. Wir empfehlen Filter mit einer optischen Dichte (OD) von 5.0; solche Filter lassen nur 0,001 % des Sonnenlichts durch; die übrigen 99,999 % werden abgeblockt. Zuverlässige Sonnenfilter bestehen häufig aus Baader AstroSolar Folie.
- Treffen Sie geeignete Vorsichtsmaßnahmen, wenn Kinder oder Menschen das Instrument benutzen, die diese Anleitung nicht gelesen bzw. verstanden haben. Alle Teile werden in einer Schachtel ausgeliefert. Vorsichtig auspacken und Original-Versandverpackung aufbewahren. Sollte später ein Transport des Teleskops an einen anderen Standort notwendig werden, trägt die Versandverpackung trägt dazu bei, dass das Teleskop wohlbehalten ankommt. Lieferumfang auf Vollständigkeit prüfen, dazu sorgfältig in der Schachtel nachsehen, da einige Teile klein sind. Versuchen Sie nicht, das Instrument eigenmächtig auseinanderzunehmen. Wenden Sie sich für Reparaturen an ein spezialisiertes Servicecenter vor Ort. Berühren Sie die optischen Oberflächen nicht mit den Fingern. Verwenden Sie zur äußerlichen Reinigung des Instruments ausschließlich die speziellen Reinigungstücher und das spezielle Optik-Reinigungszubehör von Levenhuk. Reinigen Sie die Optik nicht mit korrodierenden Flüssigkeiten oder Flüssigkeiten auf Acetonbasis.
- Schützen Sie das Instrument vor plötzlichen Stößen und anderen mechanischen Belastungen. Üben Sie beim Fokussieren keinen übermäßigen Druck aus. Wenden Sie keine übermäßige Kraft auf die Feststellschrauben und Fixierungsschrauben an. Lagern Sie das Instrument an einem trockenen, kühlen Ort, der frei von Staub, gefährlichen Säuren und anderen Chemikalien ist, und in ausreichendem Abstand zu Heizgeräten, offenem Feuer und anderen Hochtemperaturquellen. Bewahren Sie bei längeren Phasen der Nichtbenutzung die Objektivlinsen und Okulare getrennt vom Mikroskop oder Teleskop auf. Lassen Sie Sorgfalt bei der Beobachtung walten und setzen Sie nach Abschluss der Beobachtung die Staubabdeckung wieder auf, um das Instrument vor Staub und Verschmutzungen zu schützen. Das Instrument ist nicht für Dauerbetrieb ausgelegt. Lassen Sie das Instrument nicht in direktem Sonnenlicht zurück. Halten Sie das Instrument von Wasser und hoher Feuchtigkeit fern. Setzen Sie das Mikroskop nach Möglichkeit nicht in der Nähe brennbarer Materialien oder Substanzen (Benzen, Papier, Karton, Plastik usw.) ein, da sich der Sockel bei der Verwendung erhitzen kann und dies bei Anwesenheit brennbarer Stoffe ein Brandrisiko darstellt. Trennen Sie das Mikroskop immer vom Strom, bevor Sie den Sockel öffnen oder die Beleuchtungslampe austauschen. Lassen Sie sowohl Glühlampen als auch Halogenlampen vor dem Auswechseln zunächst abkühlen, und ersetzen Sie sie stets durch Lampen desselben Typs.
- Die Chemikalien sind möglicherweise gesundheitsschädlich. Nur gemäß Anweisungen aus der Anleitung verwenden. Achten Sie darauf, dass Ihr Kind den korrekten Umgang damit kennt. Ein sauberer und aufgeräumter Arbeitsplatz ist wichtig. Nicht in der Küche oder in der Nähe von Nahrungsmitteln mit den Proben arbeiten. Der Arbeitsbereich sollte gut beleuchtet sein. Ein Wasserhahn mit sauberem Wasser muss jederzeit schnell und einfach zugänglich sein. Abfälle in einem separaten Mülleimer entsorgen. Alle Flüssigkeiten müssen über die Kanalisation entsorgt werden, jedoch nicht über Spül- oder Waschbecken. Im Lieferumfang befindet sich alles, was zur Montage benötigt wird. Bei Bedarf können aber auch haushaltsübliche Werkzeuge benutzt werden.

Bei Verschlucken eines Kleinteils oder einer Batterie umgehend ärztliche Hilfe suchen!

Sicherheitshinweise zum Umgang mit Batterien

- Immer die richtige, für den beabsichtigten Einsatz am besten geeignete Batteriegröße und -art erwerben. Stets alle Batterien gleichzeitig ersetzen. Alte und neue Batterien oder Batterien verschiedenen Typs nicht mischen. Batteriekontakte und Kontakte am Instrument vor Installation der Batterien reinigen. Beim Einlegen der Batterien auf korrekte Polung (+ und -) achten.
- Batterien entnehmen, wenn das Instrument für einen längeren Zeitraum nicht benutzt werden soll. Verbrauchte Batterien umgehend entnehmen. Primärbatterien nicht wieder aufladen! Beim Aufladen von Primärbatterien können diese auslaufen; außerdem besteht Feuer- und Explosionsgefahr. Batterien nicht kurzschließen, um Hitzeentwicklung, Auslaufen oder Explosionen zu vermeiden. Batterien dürfen nicht zum Wiederbeleben erwärmt werden. Batterien nicht öffnen. Instrumente nach Verwendung ausschalten.
- Batterien für Kinder unzugänglich aufbewahren, um Verschlucken, Ersticken und Vergiftungen zu vermeiden. Entsorgen Sie leere Batterien gemäß den einschlägigen Vorschriften.

Willkommen in der Welt des Mikrokosmos!

Mit dem Levenhuk LabZZ MTB3 Mikroskop kannst du viele interessante Entdeckungen machen und aufregende Eindrücke sammeln. Bitte denke aber immer daran, dass du unbedingt die Sicherheitsregeln befolgen musst. Im Set findest du das Mikroskop und viel nützliches Zubehör. Ist alles vollständig? Überprüfe das zusammen mit deinen Eltern.

So benutzt du dein Mikroskop

1. Sehen Sie sich den Plan des Mikroskops genau an. **1**
2. Zuerst musst du die Batterien für die Beleuchtung einlegen. Drehe das Mikroskop um und nimm den Deckel des Batteriefachs ab. Lege zwei AA-Batterien ein (das sind die etwas größeren runden Batterien, man nennt sie auch Mignon-Zellen). Achte beim Einlegen auf die Polarität – das „+“-Zeichen auf der Batterie muss auf der Seite sein, auf der auch ein „+“-Zeichen im Fach ist (dasselbe gilt für die „-“-Zeichen). **3** Setze den Deckel wieder auf. Bitte einen Erwachsenen um Hilfe, wenn du dir nicht sicher bist.
3. Stelle das Mikroskop auf einer ebenen Oberfläche in der Nähe einer Lichtquelle auf (zum Beispiel am Fenster oder bei einer Lampe). Richte den Spiegel auf die Lichtquelle. Du solltest jetzt einen hellen Lichtfleck im Okular sehen. Wenn es in deinem Zimmer nicht hell genug ist, kannst du die eingebaute Beleuchtung einschalten. Drehe dazu den Spiegel um. **2**

VORSICHT! Richte den Spiegel nie direkt auf die Sonne. Das ist sehr gefährlich – du könntest deine Augen damit schädigen. Erblindungsgefahr!

4. Jetzt ist das Mikroskop betriebsbereit.
5. Nimm einen der präparierten Objektträger, lege ihn auf den Objektisch und befestige ihn mit den Klemmen.
6. Wähle ein Objektiv, indem du am Objektivrevolver drehst. Das Mikroskop hat drei Objektive mit unterschiedlichen Vergrößerungen (15x, 45x und 90x). In Verbindung mit einem 10x-Okular erreichen diese Objektive Vergrößerungen von 150x, 450x und 900x. Je länger das Objektiv, desto größer ist seine Vergrößerung. Die meisten Beobachtungen klappen zunächst besser bei niedriger Vergrößerung. Wähle also am Anfang das kürzeste Objektiv aus. Du hörst einen deutlichen Klick, wenn das Objektiv richtig einrastet.
7. Drehe nun langsam am Fokussierad, bis das Objektiv ganz nah am Objektträger ist. **ACHTUNG!** Das Objektiv darf den Objektträger aber nicht berühren. Denn dabei könnten Objektträger und Objektiv beschädigt werden. Deswegen musst du alles ganz langsam und sorgfältig machen. Wenn das Objektiv nah am Objektträger ist (ihn aber noch nicht berührt!), blicke durch das Okular. Drehe jetzt das Fokussierad sehr langsam in die entgegengesetzte Richtung, bis das Bild scharf wird.

Lieferumfang:

Mikroskop, Okular 10x, Ersatzlampe, 3 Kolben, 3 Leere Objektträger und 3 Deckgläser, 3 Foliensticker, Skalpell, Pipette, Spatel, Forzeps, Präpariernadel.

Entdecke die Wunder der Astronomie!

So benutzt du dein Teleskop

Es ist sehr wichtig, das Teleskop richtig zusammenzubauen, damit alles korrekt funktioniert. **5** Sieh dir das Teleskop in Ruhe an. Versuche, dir die Namen seiner Teile zu merken. Finde heraus, wofür sie da sind und wo sie hingehören. **4** Am Besten lässt du dir beim Zusammenbau von einem Erwachsenen helfen.

1. Öffne die Schachtel, hole alle Teile heraus und lege sie ordentlich auf einen Tisch. Überprüfe die leere Schachtel anschließend noch einmal - es könnten sich noch kleine Teile darin verbergen.
2. Spreize die Stativbeine und stelle das Stativ stabil auf einer ebenen Fläche auf. Die Stativhöhe ist einstellbar.
3. Finde die Montierungsschraube unten am Teleskop. Drehe sie heraus und setze das Teleskop auf die Montierung. Führe die Schraube durch die Öffnungen in Montierung und Teleskop wieder ein und ziehe sie vorsichtig fest. Achtung: Achte auf den Anschlag und ziehe die Schraube nicht zu sehr fest – du könntest dabei das Schraubgewinde beschädigen.
4. Löse die Montierungsschrauben des Sucherrohrs und schiebe das Sucherrohr in den Suchersockel. Ziehe die Schrauben vorsichtig wieder an. Achte beim Anbringen des Sucherrohrs darauf, dass es in dieselbe Richtung wie der Teleskoptubus zeigt.
5. In der Schachtel mit dem Teleskop findest du zwei Okulare. Je kleiner die Zahl auf dem Okular ist, desto größer ist seine Vergrößerung. Es ist besser, zu Beginn einer Beobachtung ein Okular mit niedriger Vergrößerung und breitem Sichtfeld zu benutzen.
6. Der Diagonalspiegel **6** wird vor dem Okular im Fokussierer installiert. Er kehrt das Bild von oben nach unten um, was besonders bei terrestrischen Observationen hilfreich ist.

Tipps für die ersten Beobachtungen mit dem Teleskop

VORSICHT! Schau nie mit dem Teleskop direkt in die Sonne oder den Himmel in der Nähe der Sonne! Das ist gefährlich – du kannst deine Augen damit unwiederbringlich schädigen. Erblindungsgefahr!

Bevor du dich auf den Weg machst, das Weltall zu erkunden, solltest du dich bei Tageslicht mit der Bedienung deines Teleskops bekannt machen. Es empfiehlt sich, zunächst verschiedene terrestrische Objekte zu observieren – Häuser, Bäume, Antennen auf den Hausdächern und so weiter. Dabei übst du, das Teleskop zu beherrschen und es auf das Objekt scharfzustellen, das du beobachten möchtest. Außerdem kannst du eine Menge Spaß dabei haben!

Achtung: Stell das Teleskop an einem windgeschützten Ort auf.

Wenn du dich später daran machst, den Mond, die Planeten und die Sterne bei Nacht zu beobachten, solltest du das Mikroskop weit entfernt von Straßenlaternen, Scheinwerferlicht oder erleuchteten Fenstern aufstellen. Such dir eine Nacht aus, in der die Sterne hell leuchten und nicht flackern.

Richte das Teleskop auf das Objekt, das du beobachten möchtest, zum Beispiel auf den Mond. Schau dann durch das Sucherrohr und bewege den Tubus vorsichtig, bis das Objekt in der Mitte des Suchers ist. Schau jetzt durch das Okular. Wenn alles geklappt hat, solltest du das Bild des Objekts sehen – aber um ein Vielfaches vergrößert.

Gehe vorsichtig mit dem Teleskop um und sei geduldig. Vermeide Stöße gegen das Teleskop, und schiebe es nicht umher. Nach einiger Übungszeit wirst du herausfinden, wie du den Teleskoptubus bewegen kannst, ohne das beobachtete Objekt aus dem Blickfeld im Okular zu verlieren.

Lieferumfang:

Teleskop, Okulare 5 mm und 10 mm, Fokussierer 2x, Diagonalspiegel, Stativ 65–115 mm.

Kompaktfernglas

Tipps für die ersten Beobachtungen

VORSICHT! Schau nie mit dem Fernglas direkt in die Sonne oder den Himmel in der Nähe der Sonne! Das ist gefährlich du kannst deine Augen damit unwiederbringlich schädigen. Erblindungsgefahr!

Pupillenabstand anpassen

Jeder Mensch hat einen anderen Pupillenabstand – so nennt man den Abstand zwischen den Augen. Deswegen ist es so wichtig, für den besten Komfort beim Beobachten den Pupillenabstand richtig einzustellen. Nimm das Fernglas in beide Hände und führ es an deine Augen. Halte das Fernglas so, dass du nur einen Kreis siehst, wenn du mit beiden Augen durchschaust.

Scharfstellen

Wähle etwas aus, das du beobachten möchtest. Drehe langsam am Fokussierrad und schau dabei durch die Okulare, bis du ein scharfes Bild siehst.

Lieferumfang:

Fernglas, Tasche, Reinigungstuch, Riemen.

Lebenslange internationale Garantie

Levenhuk garantiert für alle Teleskope, Mikroskope, Ferngläser und anderen optischen Erzeugnisse mit Ausnahme von Zubehör **lebenslanglich** die Freiheit von Material- und Herstellungsfehlern. Die lebenslange Garantie ist eine Garantie, die für die gesamte Lebensdauer des Produkts am Markt gilt. Für Levenhuk-Zubehör gewährleistet Levenhuk die Freiheit von Material- und Herstellungsfehlern innerhalb von **zwei Jahren** ab Kaufdatum. Produkte oder Teile davon, bei denen im Rahmen einer Prüfung durch Levenhuk ein Material- oder Herstellungsfehler festgestellt wird, werden von Levenhuk repariert oder ausgetauscht. Voraussetzung für die Verpflichtung von Levenhuk zu Reparatur oder Austausch eines Produkts ist, dass dieses zusammen mit einem für Levenhuk ausreichenden Kaufbeleg an Levenhuk zurückgesendet wird.

Diese Garantie erstreckt sich nicht auf Verbrauchsmaterialien wie Leuchtmittel (Glühlampen, LEDs, Halogen- und Energiesparlampen u. a.), Batterien (wiederaufladbare Akkus und nicht wiederaufladbare Batterien), elektrisches Verbrauchsmaterial usw.

Weitere Einzelheiten entnehmen Sie bitte unserer Website: <http://de.levenhuk.com/garantie>

Bei Problemen mit der Garantie, oder wenn Sie Unterstützung bei der Verwendung Ihres Produkts benötigen, wenden Sie sich an die lokale Levenhuk-Niederlassung.

El kit Levenhuk LabZZ MTB32 (microscopio, telescopio y prismáticos)

ES

Querido amigo:

¡El kit Levenhuk LabZZ MTB3 para niños te descubrirá un mundo fascinante de interesantes descubrimientos científicos! El telescopio del kit permite estudiar la Luna, los planetas y las estrellas brillantes; descifrar los misterios del cosmos infinito y observar objetos lejanos. Por otra parte, el microscopio te ayudará a ver lo invisible, aquellas cosas tan pequeñas que no pueden verse con el ojo desnudo. Este microscopio ayuda a averiguar de qué están hechas las cosas que nos rodean y los secretos que esconde la vida a nuestro alrededor. Podrá llevar los prismáticos a todas partes y observar animales o pájaros. La experiencia con el kit Levenhuk LabZZ MTB3 es al mismo tiempo instructiva y entretenida.

Lee con atención el manual completo antes de utilizar el microscopio, el telescopio o los prismáticos y no lo pierdas, ya que es posible que lo necesites más adelante.

Información para los padres

Apreciado adulto: Recuerde que es responsable de la seguridad de sus hijos en todo momento. Asegúrese de que sus hijos siempre trabajen con el microscopio, el telescopio o con los prismáticos de forma segura. Lea el manual completo detenidamente, especialmente en lo que se refiere a las instrucciones de mantenimiento y de manipulación. Aunque su hijo sea mayor y lea bien, repita con él todas las reglas en voz alta de nuevo antes de empezar a trabajar con los instrumentos y asegúrese de que su hijo o hija entienda claramente estas instrucciones.

¡PRECAUCIÓN! ¡HAY RIESGO DE AXFISIA! Estos instrumentos contienen piezas pequeñas. El microscopio, el telescopio y los prismáticos están diseñados para niños de más de 5 años y solamente deben usarse bajo la supervisión de un adulto.

Cuidado y mantenimiento (microscopio, telescopio y prismáticos)

- Nunca, bajo ninguna circunstancia, mire directamente al sol, a otra fuente de luz intensa o a un láser a través de este instrumento, ya que esto podría causar DAÑO PERMANENTE EN LA RETINA y CEGUERA. Utilice únicamente filtros solares profesionales que cubran por completo la parte frontal del instrumento. Es necesario cubrir el extremo frontal del buscador con aluminio o con otro material no transparente para evitar que se dañen las piezas del interior del telescopio. Para observar el Sol con seguridad, recomendamos utilizar filtros con una densidad óptica (DO) de 5,0. Este tipo de filtros solamente transmiten un 0,001 % de la luz del Sol, bloqueando el restante 99,999 %. Los filtros solares más fiables están fabricados con láminas Baader AstroSolar.
- Tome las precauciones necesarias si utiliza este instrumento acompañado de niños o de otras personas que no hayan leído o que no comprendan totalmente estas instrucciones. Todas las piezas se entregan en una caja. Desempaquételas con cuidado. Recomendamos que guarde los recipientes utilizados en el envío. Así, si necesita enviar el telescopio de nuevo a otro sitio, podrá utilizar los recipientes originales para enviarlo, lo que asegurará que su telescopio resista el viaje intacto. Asegúrese de que en la caja estén todas las piezas. Revise cuidadosamente toda la caja, ya que algunas de las piezas son pequeñas. No intente desmontar el instrumento usted mismo bajo ningún concepto, ni siquiera para limpiar el espejo. Si necesita repararlo o limpiarlo, contacte con el servicio técnico especializado que corresponda a su zona. No toque las superficies ópticas con los dedos. Para limpiar el exterior del instrumento, utilice únicamente los paños y herramientas de limpieza especiales de Levenhuk. No limpie las superficies ópticas con fluidos corrosivos ni a base de acetonas.
- Proteja el instrumento de impactos súbitos y de fuerza mecánica excesiva. No aplique una presión excesiva al ajustar el foco. No apriete demasiado los tornillos de bloqueo. Guarde el instrumento en un lugar seco y fresco, alejado de ácidos peligrosos y otros productos químicos, radiadores, de fuego y de otras fuentes de altas temperaturas. Si no va a utilizar el instrumento durante periodos largos de tiempo, guarde las lentes del objetivo y los oculares por separado del instrumento. Tenga cuidado durante las observaciones y cuando termine recuerde volver a colocar la cubierta para proteger el instrumento del polvo y las manchas. No utilice este instrumento durante periodos largos de tiempo ni lo deje sin atender bajo la luz directa del sol. Protéjalo del agua y la alta humedad. Cuando uses el microscopio intenta no hacerlo cerca de materiales o sustancias inflamables (benceno, papel, cartón, plástico, etc.) ya que la base puede calentarse con el uso y suponer un riesgo de incendio. Desconecta siempre el microscopio de la fuente de alimentación antes de abrir la base o cambiar la bombilla. Independientemente del tipo de lámpara (halógena o incandescente), dale tiempo de enfriarse antes de cambiarla y sustitúyela siempre por otra del mismo tipo.
- Los productos químicos pueden ser dañinos para la salud de las personas. Utilice solamente los productos químicos especificados en el manual del usuario y asegúrese de que su hijo sabe cómo utilizarlos correctamente. La zona de trabajo debe mantenerse limpia y ordenada. No trabaje con muestras en la cocina, cerca de la comida. La zona de trabajo ha de estar bien iluminada. Cuando trabaje, también debe tener acceso rápido y práctico a agua limpia. Utilice un recipiente independiente para los materiales que vaya desechando al trabajar. Todos los líquidos deben desecharse en el desagüe, no por la pila ni por el lavabo. El kit contiene todo lo necesario para montarlo, pero si fueran necesarias herramientas adicionales, sería suficiente con las herramientas básicas que prácticamente todo el mundo tiene en casa.

En el caso de que alguien se trague una pieza pequeña o una pila, busque ayuda médica inmediatamente.

Instrucciones de seguridad para las pilas

- Compre siempre las pilas del tamaño y grado indicado para el uso previsto. Reemplace siempre todas las pilas al mismo tiempo. No mezcle pilas viejas y nuevas, ni pilas de diferentes tipos. Limpie los contactos de las pilas y del instrumento antes de instalarlas. Asegúrese de instalar las pilas correctamente según su polaridad (+ y -).
- Quite las pilas si no va a utilizar el instrumento durante un periodo largo de tiempo. Retire lo antes posible las pilas agotadas. No intente nunca recargar pilas primarias (pilas de un solo uso) ya que podría provocar fugas, fuego o explosión. No cortocircuite nunca las pilas ya que podría aumentar su temperatura y podría provocar fugas o una explosión. Nunca caliente las pilas para intentar reavivarlas. No desmonte las pilas. Recuerde apagar el instrumento después de usarlo.
- Mantenga las pilas fuera del alcance de los niños para eliminar el riesgo de ingestión, asfixia o envenenamiento. Deseche las pilas usadas tal como lo indiquen las leyes de su país.

¡Bienvenido al micromundo!

¡Con el microscopio Levenhuk LabZZ MTB3 descubrirás muchas cosas interesantes y crearás emocionantes recuerdos! Recuerda que es muy importante seguir las normas de seguridad. En el kit encontrarás el microscopio, así como muchos accesorios útiles. ¿Está todo en su sitio? Compruébalo con tus padres.

Cómo trabajar con el microscopio

1. Revise a fondo el esquema del microscopio. ①
2. Primero coloca las pilas para la iluminación. Para ello, gira el microscopio y quita la tapa del compartimento de las pilas. Introduce las pilas AA (no son las más finas que se utilizan en las linternas de bolsillo, sino las siguientes, que son algo más gruesas). Mete las pilas respetando la polaridad, asegúrate de que el signo "+" de la pila encaja con el "+" del compartimento y haz lo mismo para los signos "-". ③ Coloca la tapa de nuevo. Si tienes dudas, pregunta a un adulto.
3. Coloca el microscopio en una superficie plana cerca de una fuente de luz intensa (una ventana o una lámpara). Gira el espejo hacia la fuente de iluminación. Ahora tendrías que ver un punto de luz a través del ocular. Si en tu habitación no hay suficiente luz para trabajar con el microscopio, enciende la iluminación del microscopio girando el espejo. ②

¡PRECAUCIÓN! Nunca dirijas el espejo hacia el Sol, ya que podrías dañarte la vista e incluso quedarte ciego.

- Ahora el microscopio está listo para que trabajes con él.
- Coge un portaobjetos con una muestra preparada, colócalo en la platina y sujétalo con las pinzas.
- Elige el objetivo que quieras girando el revólver. El microscopio tiene tres objetivos de diferentes aumentos (15x, 45x y 90x). Utilizando estos objetivos con un ocular de 10x aumentos, obtendrá unos aumentos totales de 150x, 450x o 900x. Cuanto más largo sea el objetivo, más aumentos produce. La mayor parte de las muestras se ven mejor con aumentos bajos; por eso, elige para empezar el objetivo más corto. Oirás un clic cuando el objetivo esté correctamente colocado.
- Gira lentamente el tornillo de enfoque hasta que el objetivo casi toque el portaobjetos.
¡PERO CUIDADO! No llegues a tocar el portaobjetos porque se podría dañar el portaobjetos o el objetivo. Por eso es necesario hacer este paso muy lentamente y con mucho cuidado. Cuando el objetivo esté muy cerca del portaobjetos (¡pero sin tocarlo!), mira a través del ocular y empieza a girar el tornillo de enfoque en dirección contraria y muy despacio hasta que veas una imagen nítida.

El kit incluye:

microscopio, ocular 10x, bombilla de recambio, 3 frascos, 3 portaobjetos vacíos, 3 cubreobjetos, 3 pegatinas para portaobjetos, escalpelo, pipeta, espátula, pinzas, aguja de disección.

Un telescopio maravilloso

Cómo trabajar con el telescopio

Es muy importante montar el telescopio de forma correcta para que funcione bien. **5** Revisa el telescopio cuidadosamente. Intenta recordar los nombres de las piezas, dónde va cada una y para qué se utilizan. **4** Es mejor montar el telescopio con ayuda de un adulto.

- Abre la caja y saca todas las piezas. Asegúrate de que la caja esté vacía, es posible que se hayan quedado piezas pequeñas dentro.
- Extiende las patas del trípode y colócalo en una superficie plana para que quede estable. La altura del trípode es ajustable.
- Busca el tornillo de fijación del telescopio (situado por debajo del telescopio), aflójalo y coloca el telescopio en la montura. Introduce el tornillo de manera que pase por el orificio del telescopio y por el de la montura. Apriétalo con cuidado. Atención: No aprietes excesivamente el tornillo, ya que podría dañarse la rosca.
- Afloja los tornillos de fijación del buscador y desliza el buscador dentro de la base. Aprieta los tornillos cuidadosamente. El buscador se tiene que montar de manera que apunte en la misma dirección que el tubo del telescopio.
- En la caja del telescopio encontrarás dos oculares. Cuanto menor sea el número del ocular, mayores serán sus aumentos. Es mejor empezar a realizar observaciones utilizando un ocular de aumentos bajos pero con un campo de visión mayor.
- El espejo diagonal **6** está instalado en el interior del enfocador, antes del ocular, e invierte la imagen, lo que resulta especialmente útil para observaciones terrestres.

Cómo empezar a realizar observaciones

**¡PRECAUCIÓN! ¡No mires nunca al Sol ni a zonas del cielo cercanas al Sol a través de un telescopio!
¡Podrías dañarte la vista o incluso quedarte ciego!**

Antes de empezar a explorar el cosmos es necesario que te familiarices con el telescopio utilizándolo durante el día. Primero, observe diferentes objetos terrestres como casas, árboles, antenas en los tejados ¡y muchos otros! De esta forma podrás aprender a controlar el telescopio, enfocando los objetos que desees observar. ¡Y además es muy divertido!

Atención: El telescopio tiene que usarse en un lugar protegido del viento.

Cuando vayas a observar la Luna, los planetas y las estrellas por la noche, recuerda elegir sitios alejados de las farolas, de las luces de los coches y de las luces de las ventanas. Intenta realizar observaciones en noches en que las estrellas brillen bien y de manera uniforme.

Apunta el telescopio hacia el objeto deseado, por ejemplo la Luna. Mirando por el buscador, mueve el tubo lentamente hasta que el objeto se encuentre en el centro. Si ahora miras a través del ocular verás la imagen del objeto ¡aumentada muchas veces!

Cuando trabajes con el telescopio, hazlo con cuidado y ten paciencia. No lo empujes y no lo muevas de su sitio. Después de practicar aprenderás a mover el tubo del telescopio sin perder de vista el objeto mientras miras por el ocular.

El kit incluye:

telescopio, oculares 5 mm y 10 mm, enfocador 2x, espejo diagonal, trípode de aluminio 65–115 mm.

Prismáticos compactos

Cómo empezar a realizar observaciones

**¡PRECAUCIÓN! ¡No mires nunca al Sol ni a zonas del cielo cercanas al Sol a través de los prismáticos!
¡Podrías dañarte la vista o incluso quedarte ciego!**

Cómo ajustar la distancia interpupilar

Cada persona tiene su propia distancia interpupilar (la distancia entre los ojos); por eso es tan importante ajustarla correctamente para disfrutar mientras observes. Coge los prismáticos con ambas manos y acércalos a tus ojos. Sujeta los prismáticos en una posición en la que veas solamente un círculo con los dos ojos.

Cómo enfocar

Elige el objeto que quieres observar y gira despacio la rueda de enfoque mientras miras a través de los oculares hasta que veas la imagen bien enfocada.

El kit incluye:

prismáticos, funda, paño limpiador, tira.

Garantía internacional de por vida Levenhuk

Todos los telescopios, microscopios, prismáticos y otros productos ópticos de Levenhuk, excepto los accesorios, cuentan con una **garantía de por vida** contra defectos de material y de mano de obra. La garantía de por vida es una garantía a lo largo de la vida del producto en el mercado. Todos los accesorios Levenhuk están garantizados contra defectos de material y de mano de obra durante **dos años** a partir de la fecha de compra en el minorista. Levenhuk reparará o reemplazará cualquier producto o pieza que, una vez inspeccionada por Levenhuk, se determine que tiene defectos de materiales o de mano de obra. Para que Levenhuk pueda reparar o reemplazar estos productos, deben devolverse a Levenhuk junto con una prueba de compra que Levenhuk considere satisfactoria.

Esta garantía no cubre productos consumibles como bombillas (eléctricas, LED, halógenas, de bajo consumo y otros tipos de lámparas), pilas (recargables y no recargables), consumibles eléctricos, etc.

Para más detalles visite nuestra página web: <http://es.levenhuk.com/garantia>

En caso de problemas con la garantía o si necesita ayuda en el uso de su producto, contacte con su oficina de Levenhuk más cercana.

Zestaw Levenhuk LabZZ MTB3 (mikroskop, teleskop i lornetka)

PL

Drogi Użytkowniku,

Zestaw Levenhuk LabZZ MTB3 dla dzieci otwiera drzwi do niesamowitego świata fascynujących odkryć naukowych! Dołączony do zestawu teleskop umożliwia badanie Księżyca, planet i jasnych gwiazd, odkrywanie tajemnic nieskończonego Wszechświata oraz obserwację nawet najdalej położonych obiektów. Z kolei dzięki mikroskopowi można poznać niewidoczny gołym okiem mikroświat - rzeczy tak małe, że bez pomocy specjalnych przyrządów optycznych nie sposób ich dojrzeć! Znajdujący się w komplecie mikroskop pomoże znaleźć odpowiedź na pytanie, z czego zbudowane są przedmioty z otaczającego nas świata oraz poznać sekrety, które umykają nam w życiu codziennym. Noś lornetkę przy sobie, aby obserwować zwierzęta i ptaki. Odkrycia dokonane przy pomocy zestawu Levenhuk LabZZ MTB3 nie tylko poszerzą Twoją wiedzę, ale też sprawią Ci wiele radości. Przed rozpoczęciem korzystania z mikroskopu, teleskopu lub lornetki dokładnie zapoznaj się z całą instrukcją obsługi. Zachowaj ją na przyszłość, gdyż może przydać się później.

Informacje dla rodziców

Drogi Rodzicu, Jako osoba sprawująca opiekę rodzicielską nad dzieckiem odpowiadasz za jego bezpieczeństwo. Podczas korzystania z mikroskopu, teleskopu lub lornetki pamiętaj, aby zawsze zapewnić dziecku bezpieczne warunki pracy. Dokładnie zapoznaj się z całą instrukcją obsługi, zwracając szczególną uwagę na instrukcje dotyczące obchodzenia się z przyrządami i ich konserwacji. Nawet jeśli dziecko jest starsze i potrafi już czytać, jeszcze raz powtórz na głos zasady użytkowania przyrządów. Upewnij się, że Twoja pociecha w pełni rozumie te instrukcje.

UWAGA! RYZYKO ZADŁAWIENIA! Przyrządy zawierają drobne części. Mikroskop, teleskop i lornetka zostały zaprojektowane dla dzieci powyżej 5 i powinny być używane wyłącznie pod nadzorem osoby dorosłej.

Konserwacja i pielęgnacja (mikroskop, teleskop i lornetka)

- Pod żadnym pozorem nie wolno kierować przyrządu bezpośrednio na słońce, światło laserowe lub inne źródło jasnego światła, ponieważ może to spowodować TRWAŁE USZKODZENIE SIATKÓWKI lub doprowadzić do ŚLEPOTY. Korzystaj tylko z profesjonalnych aperturowych filtrów słonecznych, które całkowicie zakrywają przednią część przyrządu. Przednia końcówka szukacza musi być zakryta folią aluminiową lub innym materiałem nieprzezroczystym w celu ochrony wewnętrznych elementów teleskopu przed uszkodzeniem. Aby zapewnić bezpieczeństwo podczas obserwacji Słońca, zalecamy używanie filtrów o gęstości optycznej (OD) równej 5,0. Filtry te przepuszczają zaledwie 0,001% światła słonecznego, zatrzymując pozostałe 99,999%. Najlepszej jakości filtry słoneczne wykonane są z folii Baader AstroSolar.
- Zachowaj szczególną ostrożność, gdy urządzenia używają dzieci lub osoby, które nie w pełni zapoznały się z instrukcjami. Wszystkie części znajdują się w jednym opakowaniu. Zachowaj ostrożność podczas rozpakowywania. Zalecamy zachowanie oryginalnego opakowania na przyszłość. Jeśli konieczne będzie dostarczenie teleskopu w inne miejsce, opakowanie przystosowane do transportu pomoże chronić teleskop przed ewentualnymi uszkodzeniami. Upewnij się, że w opakowaniu znajdują się wszystkie elementy. Dokładnie sprawdź jego zawartość, ponieważ niektóre części są małe. Nie podejmuj prób samodzielnego demontażu urządzenia, nawet w celu wyczyszczenia lustra. W celu wszelkich napraw i czyszczenia skontaktuj się z punktem serwisowym. Nie dotykaj powierzchni optycznych palcami. Do czyszczenia zewnętrznych powierzchni przyrządu używaj tylko specjalnych ściereczek i narzędzi do czyszczenia optyki Levenhuk. Nie czyść układu optycznego za pomocą środków żrących lub zawierających aceton.

- Chronić przyrząd przed upadkami z wysokości i działaniem nadmiernej siły mechanicznej. Nie należy używać nadmiernej siły podczas ustawiania ostrości. Nie należy dokręcać zbyt mocno śrub blokujących. Przyrząd powinien być przechowywany w suchym, chłodnym miejscu, z dala od kurzu, niebezpiecznych kwasów oraz innych substancji chemicznych, grzejników, otwartego ognia i innych źródeł wysokiej temperatury. W przypadku korzystania z przyrządu przez dłuższy czas soczewki obiektywowe i okulary oraz przyrząd należy przechowywać osobno. Podczas obserwacji należy zachować ostrożność. Po zakończeniu obserwacji założyć osłonę przeciwpylową w celu zabezpieczenia przyrządu przed kurzem i zanieczyszczeniami. Nie wystawiaj przyrządu na długotrwałe działanie promieni słonecznych. Trzymaj z dala od wody. Nie należy przechowywać w warunkach wysokiej wilgoci. Staraj się nie korzystać z mikroskopu w pobliżu łatwopalnych materiałów lub substancji (benzenu, papieru, kartonu, tworzywa sztucznego itp.), ponieważ nagrzewająca się podczas użytkowania podstawa może powodować ryzyko pożaru. Przed każdym otwarciem podstawy lub wymianą lampy odłączaj mikroskop od źródła zasilania. Przed wymianą lampy, niezależnie od jej rodzaju (halogenowa lub żarowa), zaczekaj, aż jej temperatura spadnie. Lampy wymieniaj zawsze na modele tego samego typu.
- Substancje chemiczne mogą być szkodliwe dla zdrowia. Używaj tylko tych substancji, które zostały wyszczególnione w instrukcji obsługi. Upewnij się, że Twoje dziecko wie, jak prawidłowo ich używać. Miejsce pracy powinno być czyste i uporządkowane. Nie wykonuj prac związanych z próbkami w kuchni i w pobliżu jedzenia. Miejsce to powinno być także odpowiednio oświetlone. Równie ważny jest szybki i wygodny dostęp do źródła czystej wody. Na odpady powstałe podczas prowadzonych badań przeznacz osobny pojemnik. Wszystkie substancje płynne powinny być spuszczone do kanalizacji, a nie wylwane do umywalki lub zlewu. Zestaw zawiera wszystkie elementy montażowe, jednak w razie potrzeby możesz skorzystać z podstawowego zestawu standardowych narzędzi często dostępnych w domu.

W przypadku połknięcia małej części lub baterii należy natychmiast zwrócić się o pomoc medyczną.

Instrukcje dotyczące bezpiecznego obchodzenia się z bateriami

- Należy używać baterii odpowiedniego typu i w odpowiednim rozmiarze. Należy wymieniać wszystkie baterie jednocześnie; nie należy łączyć starych i nowych baterii ani baterii różnych typów. Przed włożeniem baterii należy wyczyścić styki baterii i urządzenia. Podczas wkładania baterii należy zwracać uwagę na ich bieguny (znaki + i -).
- Jeśli sprzęt nie będzie używany przez dłuższy czas, należy wyjąć baterie. Zużyte baterie należy natychmiast wyjąć. Nie ładować baterii jednorazowych, ponieważ wiąże się to z ryzykiem wycieku, pożaru lub wybuchu. Nie doprowadzać do zwarcia baterii, ponieważ wiąże się to z ryzykiem powstania wysokiej temperatur, wycieku lub wybuchu. Nie ogrzewać baterii w celu przedłużenia czasu ich działania. Nie naruszaj struktury baterii. Należy pamiętać o wyłączeniu urządzenia po zakończeniu użytkowania.
- Baterie przechowywać w miejscu niedostępnym dla dzieci, aby uniknąć ryzyka połknięcia, uduszenia lub zatrucia. Zużyte baterie należy utylizować zgodnie z przepisami obowiązującymi w danym kraju.

Witamy w mikroświecie!

Mikroskop Levenhuk LabZZ MTB3 umożliwia dokonywanie wielu ciekawych odkryć i pozostawia niezapomniane wspomnienia! Pamiętaj jednak, że stosowanie się do zasad bezpieczeństwa jest absolutnie konieczne. W zestawie znajduje się mikroskop oraz wiele przydatnych akcesoriów. Czy zestaw jest kompletny? Sprawdź razem z rodzicami.

Jak wygląda praca z mikroskopem?

1. Dokładnie sprawdź schemat mikroskopu. ❶
2. Po pierwsze musisz włożyć baterie, które zasilają oświetlenie. Obróć mikroskop do góry nogami i zdejmij pokrywę zabezpieczającą komorę baterii. Włóż do środka dwie baterie AA (nie są to najcieńsze baterie używane w małych urządzeniach elektronicznych, lecz te nieco grubsze). Umieść baterie zgodnie z polaryzacją – upewnij się, że znak „+” na baterii znajduje się przy znaku „+” w komorze (ta sama zasada dotyczy znaku „-”). ❸ Zabezpiecz komorę pokrywą. Nie bój się poprosić o pomoc osobę dorosłą, jeśli masz wątpliwości.
3. Postaw mikroskop na płaskiej powierzchni w pobliżu źródła jasnego światła (może to być okno lub lampa). Obróć lusterko w kierunku źródła światła. Przez okular możesz teraz zobaczyć jasny punkt świetlny. Jeśli ilość światła w Twoim pokoju jest niewystarczająca, możesz włączyć wbudowane oświetlenie, obracając lusterko. ❷

UWAGA! Nigdy nie ustawiaj lusterka w stronę Słońca, ponieważ może to spowodować uszkodzenie wzroku, a nawet ślepotę.

4. Teraz mikroskop jest już gotowy do pracy.
5. Przygotowany preparat mikroskopowy połóż na stoliku i zabezpiecz go uchwytami.
6. Wybierz obiektyw, zmieniając pozycję głowicy obrotowej. Do mikroskopu dołączone są trzy obiektywy o różnym powiększeniu (15x, 45x i 90x). Korzystając z obiektywów z okularem 10x, możesz uzyskać powiększenie 150x, 450x i 900x. Im dłuższy obiektyw, tym większe jego powiększenie. Dla większości obserwacji najbardziej odpowiednie jest mniejsze powiększenie, dlatego na początek wybierz najkrótszy obiektyw. Gdy wybrany obiektyw zostanie zamocowany, usłyszysz odgłos kliknięcia.
7. Powoli obracaj pokrętło ustawiania ostrości, aż obiektyw będzie niemal dotykał preparatu. **ALE UWAGA!** Nie może on zetknąć się z preparatem, ponieważ może to skutkować uszkodzeniem zarówno preparatu, jak i obiektywu. Dlatego właśnie czynność tę musisz wykonywać bardzo powoli i ostrożnie. Kiedy obiektyw będzie znajdował się bardzo blisko preparatu (jednak nie może go dotykać!), spojrz przez okular i bardzo powoli obracaj pokrętło ustawiania ostrości w przeciwnym kierunku do momentu, aż zobaczysz wyraźny obraz.

Zawartość zestawu:

mikroskop, okular 10x, żarówka pomocnicza, fiolka (3), szkiełka podstawowe (3) i szkiełka nakrywkowe (3), naklejki na preparaty (3), skalpel, pipeta, szpatułka, peseta, igła preparacyjna.

Wspaniały teleskop

Jak wygląda praca z teleskopem?

Prawidłowe złożenie teleskopu jest niezwykle ważne dla jego właściwego działania. **5** Dobrze przyjrzyj się swojemu teleskopowi. Spróbuj zapamiętać nazwy jego części, ich lokalizację i funkcję. **4** Najlepiej będzie, jeśli złożysz swój teleskop z pomocą osoby dorosłej.

1. Otwórz pudełko i wyjmij z niego wszystkie elementy. Po opróżnieniu opakowania sprawdź dwa razy, czy na pewno jest ono puste – małe części zestawu mogą wciąż być w środku.
2. Rozstaw nogi statywu na płaskiej powierzchni, tak aby stał on stabilnie. Wysokość statywu może być regulowana.
3. Znajdź śrubę mocującą umieszczoną na spodzie teleskopu. Poluzuj ją i umieść teleskop na montażu. Wprowadź śrubę do otworów znajdujących się na teleskopie i na montażu. Następnie dokręć ją. Uwaga: unikaj zbyt mocnego dokręcania śruby, ponieważ może to doprowadzić do uszkodzenia gwintu.
4. Poluzuj śruby mocujące szukacza i osadź go w podstawie szukacza. Następnie ostrożnie dokręć śruby. Szukacz powinien zostać zamontowany tak, aby był on skierowany w tę samą stronę co tubus teleskopu.
5. W opakowaniu oprócz teleskopu znajdziesz dwa okulary. Im mniejsza jest liczba podana na okularze, tym większe będzie jego powiększenie. Najlepiej jest rozpocząć obserwację, wykorzystując okular o małym powiększeniu i szerokim polu widzenia.
6. Lustro diagonalne **6** montuje się w tubusie ogniskującym przed zamocowaniem okularu; dzięki niemu obraz jest odwrócony dołem do góry, co jest szczególnie przydatne podczas obserwacji obiektów znajdujących się na ziemi.

Jak rozpocząć obserwację?

UWAGA! Nigdy nie patrz przez teleskop na Słońce ani otaczające je niebo! Może to skutkować uszkodzeniem wzroku, a nawet ślepotą!

Przed rozpoczęciem odkrywania Kosmosu dobrze jest nauczyć się obsługi teleskopu w ciągu dnia. Zacznij obserwować rozmaite obiekty ziemskie - domy, drzewa, anteny na dachach i wiele innych! W ten sposób nauczysz się obsługi teleskopu i ustawiania ostrości dla wybranych obiektów. Ponadto sprawi Ci to prawdziwą przyjemność!

Uwaga: teleskop powinien być używany w miejscu osłoniętym przed wiatrem.

Kiedy rozpoczniesz już obserwacje Księżyca, planet i gwiazd nocą, pamiętaj, aby wybrać się w miejsce oddalone od latarni ulicznych, świateł samochodów i światła przedostającego się przez okna budynków. Postaraj się prowadzić nocne obserwacje, gdy światło gwiazd jest jasne i równomierne.

Skieruj teleskop na wybrany obiekt, na przykład Księżyc. Patrząc przez szukacz, powoli zmieniaj pozycję tubusu, aż obiekt będzie znajdował się w samym środku obrazu. Gdy spojrzysz przez okular, zobaczysz wielokrotnie powiększony obraz obserwowanego obiektu!

Pracując z teleskopem, zachowaj ostrożność i bądź cierpliwy. Nie popychaj go ani nie przesuвай z miejsca, w którym stoi. Po zdobyciu odrobiny doświadczenia nauczysz się zmieniać pozycję tubusu teleskopu bez utraty obiektu z pola widzenia okularu.

Zawartość zestawu:

teleskop, okulary 5 mm i 10 mm, tubus ogniskujący 2x, lustro diagonalne, statyw 65–115 mm.

Lornetka kompaktowa

Jak rozpocząć obserwację?

UWAGA! Nigdy nie ustawiaj lornetek w stronę Słońca, ponieważ może to spowodować uszkodzenie wzroku, a nawet ślepotę.

Regulacja rozstawu okularów

Każdy ma inny rozstaw oczu, więc prawidłowe ustawienie rozstawu okularów zwiększa komfort prowadzenia obserwacji. Chwyć lornetkę obiema dłońmi i przyłóż ją do oczu. Przytrzymaj ją tak, aby obydwójciem oczu zobaczyć jeden okrąg.

Ustawianie ostrości

Wybierz obiekt, który chcesz obserwować. Patrz przez okulary i powoli obracaj pokrętło regulacji ostrości, aż obraz stanie się wyraźny.

Zawartość zestawu:

lornetka, futerał, ściereczka do czyszczenia, pasek.

Gwarancja międzynarodowa Levenhuk

Wszystkie teleskopy, mikroskopy, lornetki i inne przyrządy optyczne Levenhuk, za wyjątkiem akcesoriów, posiadają **dożywotnią gwarancję** obejmującą wady materiałowe i wykonawcze. Dożywotnia gwarancja to gwarancja na cały okres użytkowania produktu. Wszystkie akcesoria Levenhuk są wolne od wad materiałowych i wykonawczych i pozostaną takie przez **dwa lata** od daty zakupu detalicznego. Firma Levenhuk naprawi lub wymieni produkty lub ich części, w przypadku których kontrola prowadzona przez Levenhuk wykaże obecność wad materiałowych lub wykonawczych. Warunkiem wywiązania się przez firmę Levenhuk z obowiązku naprawy lub wymiany produktu jest dostarczenie danego produktu firmie razem z dowodem zakupu uznawanym przez Levenhuk. Niniejsza gwarancja nie obejmuje części eksploatacyjnych, takich jak żarówki (elektryczne, LED, halogenowe, energooszczędne i inne), baterie (akumulatory i zwykłe), akcesoria elektryczne itd.

Więcej informacji na ten temat znajduje się na stronie: <http://pl.levenhuk.com/gwarancja>

W przypadku wątpliwości związanych z gwarancją lub korzystaniem z produktu, proszę skontaktować się z lokalnym przedstawicielem Levenhuk.

Дорогой друг!

Детский набор Levenhuk LabZZ МТВЗ откроет тебе двери в мир захватывающих научных исследований! С помощью телескопа ты сможешь изучать Луну, планеты и яркие звезды, разгадывать загадки огромного космоса и наблюдать за далекими предметами. Микроскоп позволит тебе в деталях разглядеть все, что нельзя увидеть невооруженным глазом, и поможет тебе раскрыть множество тайн окружающих нас предметов. Бинокль можно носить с собой повсюду и наблюдать за птицами и животными. Мы надеемся, что время, проведенное с набором Levenhuk LabZZ МТВЗ, будет для тебя и полезным, и очень увлекательным.

Внимательно прочти всю инструкцию перед использованием оптических приборов. Не теряй ее: она может еще понадобиться.

Информация для родителей

Уважаемые взрослые! Помните, что вы несете ответственность за ребенка. Сделайте все возможное для обеспечения его полной безопасности при работе с телескопом, микроскопом и биноклем. Внимательно прочтите всю инструкцию, особенно правила обращения с приборами и ухода за ними. Даже если ребенок достаточно взрослый и прекрасно умеет читать, проговорите с ним все эти правила вслух. Убедитесь, что ребенок твердо усвоил их ДО начала работы.

ВНИМАНИЕ! ОПАСНОСТЬ УДУШЬЯ. В этих приборах есть мелкие детали. Микроскоп, телескоп и бинокль предназначены для детей не младше 5 лет. Работать с ними можно только под присмотром взрослых.

Уход и хранение (микроскоп, телескоп и бинокль)

- Никогда не смотрите в прибор на Солнце или область рядом с ним, на источник яркого света и лазерного излучения – ЭТО ОПАСНО ДЛЯ ЗРЕНИЯ И МОЖЕТ ПРИВЕСТИ К СЛЕПОТЕ! Наблюдение Солнца в телескоп возможно ТОЛЬКО с использованием специального солнцезащитного фильтра. Используйте только профессиональные солнечные апертурные фильтры, закрывающие переднюю часть прибора. Лицевая часть искателя должна быть закрыта алюминиевой фольгой или другим непрозрачным материалом - это защитит внутренние части телескопа от повреждений. Для безопасного наблюдения Солнца мы рекомендуем солнечные фильтры с оптической плотностью (D) 5,0. Такие фильтры пропускают всего 0,001% часть видимого света, блокируя оставшиеся 99,999%. Чаще всего надежные солнечные фильтры делают из пленки Baader AstroSolar™.
- Будьте внимательны, если пользуетесь прибором вместе с детьми или людьми, не ознакомленными с инструкцией. Все части приборов поставляются в одной коробке. Распаковывая коробку, будьте аккуратны и осторожны. Рекомендуем сохранить упаковку: использование оригинальной упаковки во время перевозки гарантирует целостность и сохранность инструмента. Убедитесь в наличии всех частей комплекта поставки. Внимательно осмотрите коробку, так как некоторые детали имеют малые размеры и могут затеряться. Не разбирайте приборы. Сервисные и ремонтные работы могут проводиться только в специализированном сервисном центре. Не касайтесь пальцами поверхностей линз. Очищайте поверхность линз окуляров сжатым воздухом или мягкой салфеткой для чистки оптики. Для внешней очистки приборов используйте специальную салфетку и специальные чистящие средства, например оригинальные средства Levenhuk для чистки оптики.
- Берегайте приборы от резких ударов и чрезмерных механических воздействий. Не прикладывайте чрезмерных усилий при настройке фокуса. Не затягивайте стопорные и фиксирующие винты слишком туго. Храните приборы в сухом прохладном месте, недоступном для воздействия кислот или других активных химических веществ, вдали от отопителей (бытовых, автомобильных) и от открытого огня и других источников высоких температур. Если объективы и окуляры не используются долгое время, храните их упакованными в сухую коробку, отдельно от приборов. Работайте с приборами аккуратно, надевайте на них пылезащитные чехлы после работы, чтобы защитить их от пыли и масляных пятен. Не подвергайте приборы длительному воздействию прямых солнечных лучей. Не используйте приборы в условиях повышенной влажности и не погружайте их в воду. Не используйте микроскоп рядом с воспламеняемыми материалами, так как основание микроскопа может нагреться во время работы. Всегда отключайте микроскоп от электросети прежде чем открывать батарейный отсек или менять лампу подсветки. Перед заменой лампы дайте ей остыть и всегда меняйте ее на лампу того же типа.
- Химикаты могут нанести вред здоровью. Следует использовать только те средства для препаратов, которые указаны в инструкции. Убедитесь, что ребенок знает, как правильно обращаться с химикатами. Рабочее место следует держать в чистоте и порядке. Не следует работать с препаратами там, где рядом есть продукты питания. В помещении должно быть хорошее освещение. Необходим быстрый и удобный доступ к чистой воде. Для отходов следует использовать отдельное ведро. Все ненужные растворы надо выливать в канализацию, а не в раковину. Обычно в комплект поставки входят все инструменты, необходимые для сборки. Если для сборки прибора чего-то не хватает, можно использовать простые инструменты из обычного набора, который есть практически в каждом доме.

Если деталь прибора или элемент питания были проглочены, срочно обратитесь за медицинской помощью.

Использование элементов питания

- Всегда используйте элементы питания подходящего размера и соответствующего типа. При необходимости замены элементов питания меняйте сразу весь комплект, не смешивайте старые и новые элементы питания и не используйте элементы питания разных типов одновременно. Перед установкой элементов питания очистите контакты элементов и контакты в корпусе прибора. Устанавливайте элементы питания в соответствии с указанной полярностью (+ и -).
- Если прибор не используется длительное время, следует вынуть из него элементы питания. Оперативно вынимайте из прибора использованные элементы питания. Не пытайтесь перезарядить гальванические элементы питания - они могут протечь, воспламениться или взорваться. Никогда не закорачивайте полюса элементов питания - это может привести к их перегреву, протечке или взрыву. Не пытайтесь нагревать элементы питания, чтобы восстановить их работоспособность. Не разбирайте батарейки. Выключайте прибор после использования.

- Храните элементы питания в недоступном для детей месте, чтобы избежать риска их проглатывания, удушья или отравления. Утилизируйте использованные батарейки в соответствии с предписаниями закона.

Добро пожаловать в микромир!

Микроскоп Levenhuk LabZZ МТВЗ поможет тебе совершить множество новых открытий и подарит много увлекательных воспоминаний. Не забывай соблюдать обязательные правила предосторожности. В комплекте ты найдешь сам микроскоп и много полезных вещей для него. Все ли на месте? Проверь вместе с родителями.

Как работать с микроскопом

1. Внимательно рассмотри, как устроен микроскоп. **1**
2. Установи батарейки для подсветки. Переверни микроскоп и сними крышку батарейного отсека. Вставь две батарейки класса AA. Обязательно соблюдай полярность батареек – то есть смотри, чтобы плюс на батарейке совпадал с плюсом на батарейном отсеке, а минус с минусом. **3** Закрой крышку.
3. Поставь микроскоп на ровную поверхность, рядом с источником яркого света (окном или настольной лампой). Поверни зеркало к источнику света. Теперь в окуляре должно быть видно яркое пятно света. Если уличного света или комнатного освещения недостаточно, можно включить подсветку, перевернув зеркало. **2**

ВНИМАНИЕ! Нельзя направлять зеркало на Солнце, так ты повредишь зрение и даже можешь ослепнуть.

4. Теперь микроскоп готов к использованию.
5. Возьми готовый препарат, положи его на предметный столик и прижми зажимами.
6. Выбери объектив, поворачивая револьверное устройство. В комплекте к микроскопу идут три объектива с разным увеличением (15, 45 и 90 крат). Используя эти объективы вместе с окуляром 10х, ты можешь получить увеличение 150, 450 и 900 крат. Более длинные объективы дают большее увеличение. Большинство наблюдений лучше проводить при меньшем увеличении, так что сначала выбери самый короткий объектив. Когда объектив встает на место, раздается щелчок.
7. Медленно вращай ручку фокусировки так, чтобы объектив опустился почти до самого препарата. **НО!** Объектив не должен коснуться препарата, иначе можно повредить и объектив, и препарат. Поэтому делай все очень медленно и плавно. Когда объектив опустился почти до препарата, посмотри в окуляр и медленно поворачивай ручку фокусировки в обратную сторону, пока не увидишь четкое изображение.

Комплектация:

микроскоп, окуляр 10х, запасная лампочка; пустой флакончик (3 шт.), предметные и покровные стекла (по 3 шт.), наклейки для стекол (3 шт.); инструменты для работы (пластиковые): скальпель, пипетка, лопатка, пинцет, препаровальная игла.

Удивительный телескоп

Как работать с телескопом

Чтобы телескоп работал как положено, важно правильно его собрать. **5** Подробно изучи телескоп. Выучи названия всех его частей и их расположение. **4** Запомни, зачем нужны все детали телескопа. Собирать телескоп лучше с кем-то из старших.

1. Открой коробку и вытащи все детали. Внимательно осмотри пустую коробку - мелкие детали могут затеряться. Раздвинь ножки треноги и установи ее на ровной поверхности так, чтобы ее положение было устойчивым. Высота треноги регулируется под разный рост.
2. Найди крепежный винт на телескопе (находится снизу). Отвинти его и установи телескоп на монтировку. Вставь винт в отверстие на монтировке и креплении телескопа. Аккуратно завинти его.
Важно: Не перетяни винты, чтобы не сорвать резьбу!
3. Ослабь винты искателя и задвинь его в крепление. Осторожно затяни винты. Искатель надо устанавливать так, чтобы труба телескопа и труба искателя смотрели в одну сторону.
4. В коробке с телескопом ты найдешь два окуляра. Чем меньше число на окуляре, тем выше увеличение. Начинать наблюдения всегда лучше с окуляра с небольшим увеличением и широким обзором.
5. Диагональное зеркало **6** устанавливается в фокусер перед окуляром и переворачивает изображение, которое ты видишь, что особенно пригодится для наземных наблюдений.

Как начать наблюдения

**ВНИМАНИЕ! Никогда не смотри в телескоп на Солнце и небо рядом с ним!
Так можно необратимо повредить зрение и даже ослепнуть!**

Прежде чем начать изучение космоса, научись пользоваться телескопом днем. Сначала рассмотри различные наземные объекты: дома, деревья, антенны на крышах и многое другое! Так ты научишься управлять телескопом и фокусироваться на нужном объекте. Кроме того, это очень интересно!

Важно: Телескоп следует установить в месте, защищенном от ветра.

Изучение Луны, планет и звезд лучше всего проводить вдали от светящихся окон, фонарей и фар машин. Старайся выбирать такие ночи, когда звезды светят ярко и ровно.

Наведи телескоп на выбранный объект, например Луну. Глядя в искатель, медленно перемещай трубу телескопа, пока объект не окажется в центре. Посмотри в окуляр телескопа - и ты увидишь увеличенное изображение объекта!

Пользуясь телескопом, будь аккуратным и терпеливым. Телескоп - очень чувствительный инструмент. Не двигай и не толкай его. После небольшой тренировки ты легко научишься передвигать трубу телескопа так, чтобы не потерять изображение из поля зрения окуляра.

Комплектация:

телескоп, окуляры 5 и 10 мм, оптический искатель 2х, диагональное зеркало, алюминиевая тренога 65–115 мм.

Компактный бинокль

Как начать наблюдения

**ВНИМАНИЕ! Никогда не смотри в бинокль на Солнце и небо рядом с ним!
Так можно необратимо повредить зрение и даже ослепнуть!**

Выставление расстояния между зрчками

Расстояние между глазами у каждого ребенка разное, поэтому важно настроить его для твоего удобства. Возьми бинокль обеими руками и поднеси его к глазам. Держи бинокль так, чтобы обоими глазами был виден один круг.

Регулировка фокуса

Выбери объект для наблюдения. Глядя в окуляры, медленно поворачивай колесико фокусировки до тех пор, пока изображение не станет максимально четким.

Комплектация:

бинокль, мягкий чехол, салфетка для оптики, тонкий ремешок.

Международная пожизненная гарантия Levenhuk

Компания Levenhuk гарантирует отсутствие дефектов в материалах конструкции и дефектов изготовления изделия.

Продавец гарантирует соответствие качества приобретенного вами изделия компании Levenhuk требованиям технической документации при соблюдении потребителем условий и правил транспортировки, хранения и эксплуатации изделия.

Срок гарантии: на аксессуары – **6 (шесть) месяцев** со дня покупки, на остальные изделия – **пожизненная гарантия** (действует в течение всего срока эксплуатации прибора).

Гарантия не распространяется на комплектующие с ограниченным сроком использования, в том числе лампы (накаливания, светодиодные, галогенные, энергосберегающие и прочие типы ламп), электрокомплектующие, расходные материалы, элементы питания и прочее.

Подробнее об условиях гарантийного обслуживания см. на сайте <http://www.levenhuk.ru/support>

По вопросам гарантийного обслуживания вы можете обратиться в ближайшее представительство компании Levenhuk.

Levenhuk prepared slides sets

The Levenhuk slides sets include thoroughly prepared specimens of various biomaterials as well as blank slides and cover glasses for you to make your own specimens. Prepared slides, blank slides and cover slips can be used with any microscope model.



Levenhuk Worldwide:

USA: www.levenhuk.com
Canada: ca.levenhuk.com
Czech Rep.: www.levenhuk.cz
Estonia: ee.levenhuk.com
Germany: de.levenhuk.com
Iceland: is.levenhuk.com

India: in.levenhuk.com
Latvia: lv.levenhuk.com
Lithuania: lt.levenhuk.com
Netherlands: nl.levenhuk.com
Poland: pl.levenhuk.com
Russia: www.levenhuk.ru

Slovakia: sk.levenhuk.com
Spain: es.levenhuk.com
Turkey: tr.levenhuk.com
Ukraine: www.levenhuk.ua
United Kingdom: uk.levenhuk.com
EU: eu.levenhuk.com

Levenhuk, Inc. 924-D East 124th Ave. Tampa, FL 33612 USA
Levenhuk®, LabZZ® are registered trademarks of Levenhuk, Inc.
© 2006–2016 Levenhuk, Inc. All rights reserved.
20160610

levenhuk
Zoom&Joy